

# Aurora Water Wiggler Model 7WW

The Aurora Water Wiggler will light up at dusk and provide three hours of pleasing colors as the dome slowly shifts through the spectrum. A sensor on the underside of the unit turns the unit on at dusk. The lights will shut off after three hours and come back on the following evening. The Water Wiggler will continuously agitate the water to prevent mosquitos from laying eggs even after the lights go off.

- Never use without the water seal in place: Large gasket around inner diameter of the plastic dome.
- Do not immerse plastic battery/motor compartment in water.
- Do not allow unit to tip over in birdbath.
- Do not use without metal legs installed.
- Do not allow material such as algae, twigs, or leaves to become attached to the agitator. Such attachments will shorten battery life significantly.
- Always keep water level at least 1/4" below the plastic base.
- If battery/motor compartment does become wet:
  1. Open unit and remove batteries. Dry batteries with a towel.
  2. Dry battery compartment and motor using hair dryer.
- Change batteries when unit no longer creates waves. This will be approximately 5 weeks.
- This unit will not de-ice water. In winter months you should use an Allied Precision Heated Bird Bath along with the Water Wiggler. See your dealer for a complete selection.
- Do not attempt to forcibly remove unit if trapped in frozen water. Should the Water Wiggler become frozen in place, move your birdbath to a location where the temperature is above 32°F and allow water to thaw. Failure to do so may result in damage to components.



Figure 1

Lights turn on at dusk and stay on for three hours.

**DO NOT REMOVE THE SILVER DISK INSIDE THE COVER!**

## Directions

1. Remove the top (dome shape) from the base by unscrewing in a counter-clockwise direction. Remove the parts needed to complete the assembly of your unit from the plastic bag.
2. Insert the 3 “U” shaped wire supports into the base of the unit (figure 1).
3. Attach the “stirring device” to the motor by pressing into place using the center hole in stirring device (figure 2).
4. Now insert the 2 “D” cell batteries (figure 3). The “stirring device” will begin turning once the batteries are inserted.
5. Close the unit by screwing the dome on in a clockwise direction until resistance is felt. Do not overtighten.
6. When the birdbath is filled completely with water (as will happen after a heavy rain) the highest water level must remain at least 1/4” below the plastic bottom of the Water Wiggler.

Determine the depth of your bird bath. Empty the water in the bird bath and place the Water Wiggler in the deepest portion of bird bath (figure 4). Place a yardstick or other “straight-edge” device across the top rim of the bird bath. Remember: a heavy rain will completely fill your bird bath.

- A. If the maximum high-water level (simulated by the straight-edge placed across the bird bath) is more than 1/4” from the plastic bottom of the Water Wiggler, simply place the unit in the center of your bath and it is ready to operate.
- B. If the maximum high-water level (simulated by the straight-edge placed across the bird bath) is less than 1/4” from the plastic bottom of the Water Wiggler, then you must raise the unit by placing a stable and level support under the Water Wiggler. Be sure the unit is secure and will not fall off of this raised support.



Figure 2

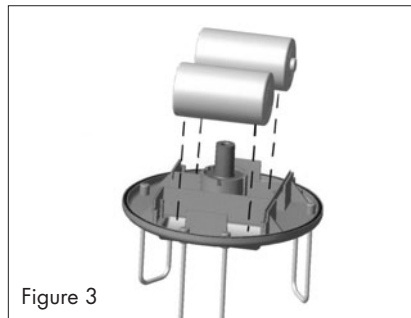


Figure 3

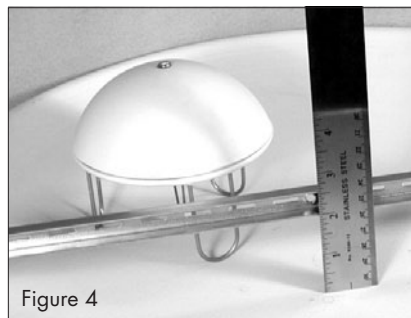


Figure 4

**ALLIED PRECISION INDUSTRIES, INC.**

705 East North Street • Elburn, Illinois 60119



Illustrations may not  
exactly match your unit.