

Barrier Gate Installation

Includes:

- 1 Barrier Gate Assembly (5 ft. to 12 ft.)
- 2 Hinge Brackets
- 1 Lock Bracket
- 2 1/2 in. x 1-1/2 in. Hex Bolt
- 2 1/2 in. Hex Nuts
- 2 1/2 in Lock Washers
- 2 1/2 in Flat Washers
- 2 1/2 in. Nylon Washers
- 4 1/2 in. x 3-1/2 in. Lag Bolts
- 2 1/2 in. x 1-1/2 in. Lag Bolts
- 1 10 mm Set Screw (fine thread)
- 1 3/8 in. x 1 in. Shipping/Set Screw (coarse thread)

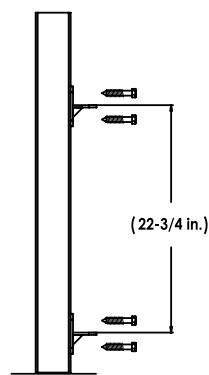
Tools Required:

- Measuring Tape
- Level
- 3/4 in. & 9/16 in. Socket or box wrench
- Adjustable Wrench
- Electric Drill with 5/16 in. drill bit

Hinge Post & Locking Post Recommendation:

- 8 ft.- 6 x 6 in. or 4 x 4 in. Pressure treated lumber
- Anchored in 32 in. deep concrete filled hole
- (Check local building code)
- Tools & Materials as needed
- (Consult your retailer for recommendations)

Fig. 1



Installation:

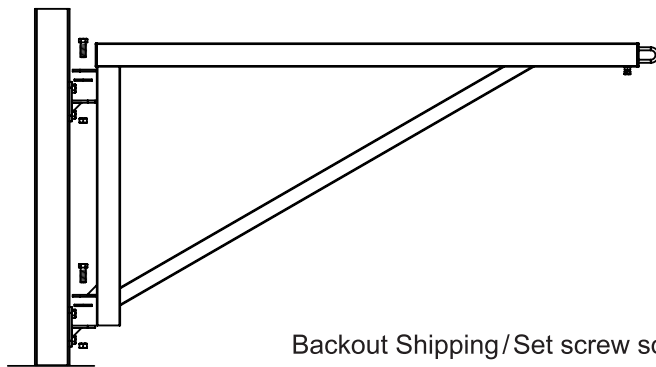
Install gate 40 in. - 48 in. above path or road high point onto a plumbed 6 x 6 in. post (or similar). See Fig. 7 for details on installing posts. Placement of the top lag bolt of the upper hinge bracket is 1-7/8 in. below your determined height of Barrier Gate and centered on the post. Lower hinge bracket is 22-3/4 in. (on center) below top bracket.

Fig. 1

Position triangle reinforcement on hinge brackets to the bottom. Drill 5/16 in. pilot holes at each lag bolt position. Screw both hinge brackets in place with (4) 3-1/2 in. lag bolts. Fig. 2

Hinge brackets on Barrier Gate rest above post mounted brackets and are separated with nylon washers. Insert 1/2 in. x 1-1/2 in. hex bolts down through brackets as hinge pins, add lock washer and flat washer, then twist nut onto each and thumb tighten. Installed Barrier Gate Assembly should be level. Fig. 2

Fig. 2



Backout Shipping/Set screw so internal extension arms can slide out. Extend internal extension arms as needed to the desired length. Fig. 3

Fig. 3

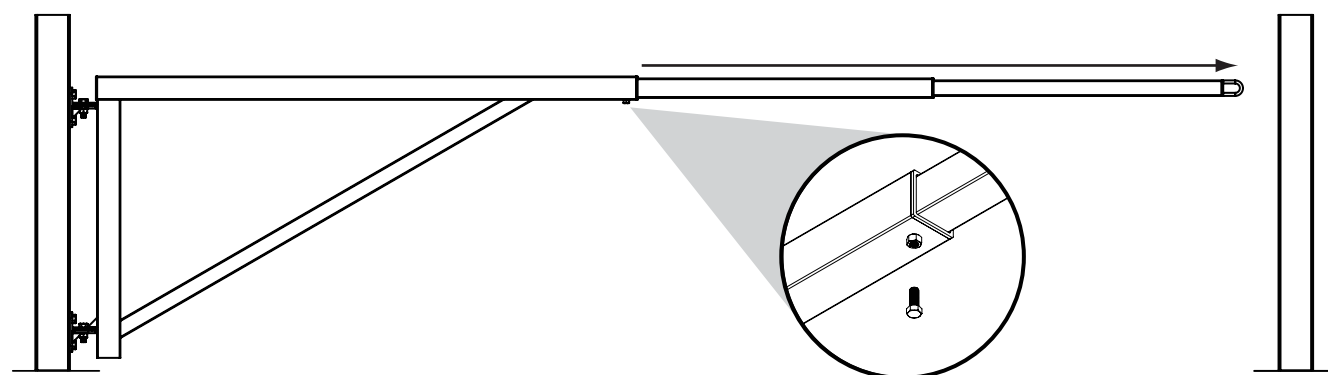
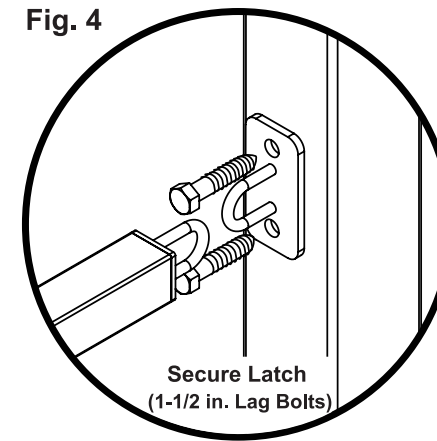
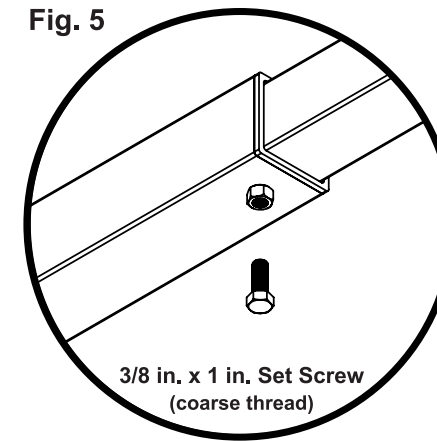


Fig. 4



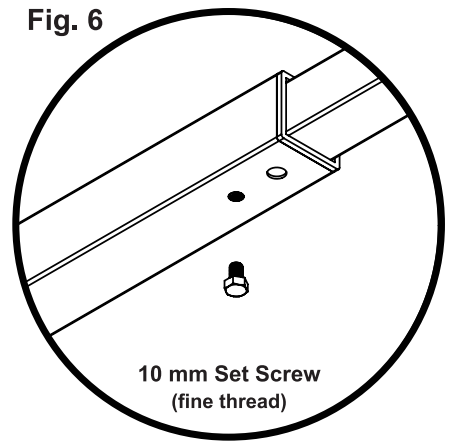
Secure Latch
(1-1/2 in. Lag Bolts)

Fig. 5



3/8 in. x 1 in. Set Screw
(coarse thread)

Fig. 6



10 mm Set Screw
(fine thread)

Position and install Lock Bracket centered onto the second post. Use extended arm to determine height and center the locking bracket on post. Fig. 3 The locking brackets should overlap so padlock (not included) can be attached. Fig. 4

Drill 5/16 in. pilot holes at lag bolt positions and screw locking bracket in place with 1-1/2 in. lag bolts. Tighten both Set Screws to lock the position of the Extension arms. Fig 5 & 6

For roads wider than 12 feet, two Barrier Gates may be used together, with post mounted hinges on each side. The lock loops on the ends of the Barrier Gates can be locked together. Be sure the heights of both gates are the same at their intersection.

Fig. 7

