

123 Industrial Loop Road
Paynesville, MN 56362
Phone: 1-800-864-1649
www.master-mfg.com



**MASTER
MANUFACTURING**

SPOT SPRAYER



INTRODUCTION

Your sprayer has been manufactured to provide the maximum in dependable efficient use. Proper operation and maintenance will ensure long satisfactory service. Study this manual carefully to become familiar with the operation and maintenance instructions.

Keep your manual in a safe, convenient place for future reference. Always mention the model and part number in any correspondence. To insure correct parts service be sure to use the part number and description when ordering.

ASSEMBLY

Check inside tank for any foreign objects. Install gun clips using screws. Attach hose to the discharge port of the diaphragm pump using plastic clamp provided. Install drain cap and washer. Install tank lid tether.

OPERATION

Operating power is obtained directly from a 12 VDC source. Be sure to connect the red to the positive (+) source and attach the black to the negative (-) source.

IMPORTANT: Before spraying chemicals, fill the tank half full of plain water to allow familiarization with the sprayer and to prevent waste of expensive chemicals.

SPRAYER MAINTENANCE

A sprayer is a carefully designed and built machine that should provide many years of reliable service if properly cared for, the main rule in caring for any sprayer is: **KEEP IT CLEAN.** Neglect costs dollars in repairs, wasted spray material and premature replacement of the sprayer.

CLEANING & STORAGE

Most spray materials are highly corrosive. The most important aspect of long dependable service from the sprayer is a thorough cleaning immediately following each use. In addition, the residue of one type of chemical could cause an undesirable effect when a different chemical is used for a different purpose.

The most effective cleaning method is to pump several rinses of clean water through the tank, pump, hoses, boom, spray gun, etc. A neutralizing agent such as a solution of Nutra-Sol, a detergent or household ammonia as recommended by the chemical manufacturer can assist in removal of a persistent chemical. When the system is thoroughly cleaned drain the tank, suction line, pump, hoses, etc.

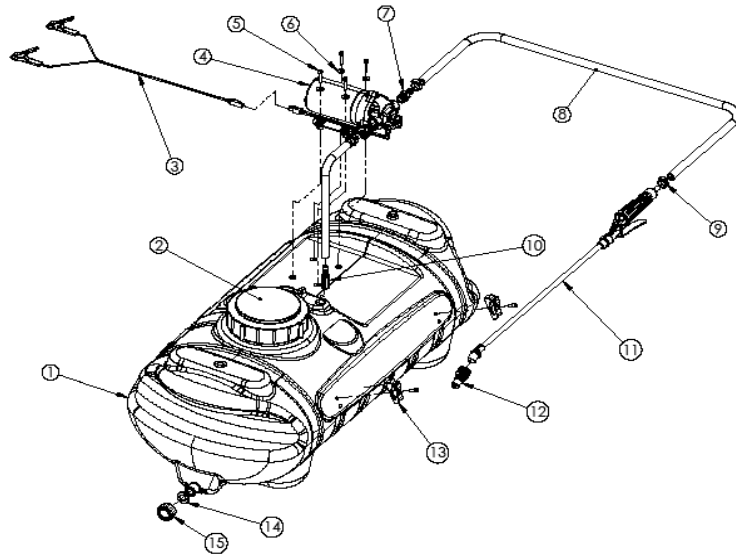
The following steps should be followed for the maintenance and storage of your sprayer.

1. Wash and flush out sprayer after completion of each phase of your program. Flush out sprayer when changing chemicals if there is a possibility of the chemicals being incompatible. Use of a detergent is advisable if the chemical manufacturer does not make specific cleaning recommendations. Flush system completely, including nozzles. Never use metal objects to open clogged nozzles.
2. Clean sprayer thoroughly before storing at the end of the spraying season. Permanent type anti-freeze added to the final rinse will leave a rust inhibiting film in parts of the sprayer.

WARRANTY

Products sold shall be warranted from defects in workmanship and material when used within the service and scope for which they were designed for a period of one year from date of purchase. Contact your distributor/ dealer for replacements parts or warranty work. Please have your original sales receipt or other proof of purchase date when requesting any warranty work.

To ensure the correct parts are acquired always provide the model number of your sprayer/attachment and the part number and description obtained from illustrated parts breakdown in this manual.



**Master Manufacturing
15/25 Gallon Spot Sprayer
Parts List**

Ref	Qty	Part No.	Description
1	1	33-103231	Tank, 15 gallon
	1	33-103230	Tank, 25 gallon
2	1	TL-6B	Lid, Tank
3	1	33-103234	Harness, Wire, SS,
4	1	33-103229	Pump, Shurflo, 1GPM, 15 gallon
	1	33-103232	Pump, Shurflo, 1.8gpm, 25 gallon
	1	33-103208	Pump, Delavan, 1 GPM, 15 gallon
	1	33-103209	Pump, Delavan, 2 GPM, 25 gallon
5	4	33-103126	Screw, Machine, 10-24 x 5/8, 15 gall
	4	33-103127	Screw, Machine, 10-24 x 1", 1.8 & 2.0 GPM pumps
6	4	33-103131	Washer #10, 1.8 & 2.0 GPM pumps only
7	2	A38	Fitting, 3/8"MNPT x 3/8"HB. 1.8 & 2.0 GPM pumps
8	15 ft	3204-1407	Hose, rubber, 3/8"
9	3	SHC-F	Clamp, hose
10	1	33-103121	Strainer, Inlet
11	1	SG-4507F	Wand, with filter
12	1	SG-45ASSY-18	Nozzle, Assembly
13	1	GC-100-KIT	Clip, Gun (Pair)
14	1	W406-V	Washer, Garden Hose
15	1	3N34	Cap, Garden Hose
	18"	3204-1407	Hose, rubber, 3/8" X 18" Inlet to pump
	1	SS-MANUAL-MM	Manual, (not shown)