



BRIO PRO 1000CC

STEAM CLEANING SYSTEM

SYSTÈME DE NETTOYAGE À VAPEUR

SISTEMA DE LIMPIEZA A VAPOR

INSTRUCTION MANUAL

GUIDE D'UTILISATION

MANUAL DE INSTRUCCIONES

ENGLISH	01
FRANÇAIS	16
ESPAÑOL	33

BRIO PRO 1000CC
STEAM CLEANING SYSTEM
INSTRUCTION MANUAL
ENGLISH

RELIABLE. RIGHT THERE WITH YOU.

At Reliable, we do what we love, and take pride in doing it right. You want what's best for the people, places and things that matter in your life - from where you live to what you wear. So do we. From the start, we approach every product with a craftsman's attention to detail and passion for making it right. Quality, functionality, design and customer service play an equally important part in delivering what's right for you. The Brio Pro 1000CC takes on the most challenging cleaning and sanitizing jobs with ease. From hospitals and schools to restaurants and hotels the 1000CC beats the performance and price of comparable machines in the steam-cleaning category.

For your safety and to fully enjoy the advantages of this product, please take a few minutes to read all of the important safeguards and care instructions. Keep this manual handy and review the product warranty for your reference.

THANK YOU FOR YOUR PURCHASE. PLEASE SHARE YOUR RELIABLE PRODUCT EXPERIENCE BY POSTING AN ONLINE REVIEW ON THE WEBSITE FROM WHICH YOU PURCHASED! WE GREATLY APPRECIATE IT!

IMPORTANT SAFETY INSTRUCTIONS

- When using your Reliable steam cleaner, basic safety precautions should always be followed. Please read the following instructions carefully as they provide important information concerning how to install, use and care for this steam cleaner.
- Use the steam cleaner only for its intended use.
- To protect against a risk of electric shock, do not immerse the steam cleaner in water or any other liquids.
- The steam cleaner should always be turned OFF before plugging it into or unplugging from a wall outlet. Never pull the power cord to disconnect from the outlet; instead grasp the plug and pull to disconnect.
- Do not let the power cord touch hot surfaces. Let the steam cleaner cool completely before putting it away. Wrap the power cord around the posts that are positioned in the rear of the steam cleaner when not in use.
- Do not operate the steam cleaner with a damaged cord, plug, or if the steam cleaner has been dropped or damaged. This will void any and all warranties. Please contact the place of purchase for repair procedure.
- Close supervision is necessary for any appliance being used by or near children. Do not leave the steam cleaner on while unattended.
- Do not use this unit in the presence of explosive and/or flammable fumes.
- Keep ventilation slots free from dust.
- Never drop or insert any object into ventilation slots
- To prevent overheating, unravel the electrical cord completely.
- Do not operate where aerosol (spray) products are being used or where oxygen is being administered.
- To disconnect, turn all controls to the off position, then remove plug from the main power.
- Never put away your steam cleaner while it is still hot. There is no need for emptying the tank unless you intend to leave it unused for a long period of time.
- This product is intended for household or commercial use.
- Before turning on the steam cleaner, please ensure that the water tank is full.
- This product is grounded for your safety. If you must use an extension cord, make sure it is rated at least 15 amps, and is grounded.
- Never store the appliance in an area that is likely to freeze.
- A hydraulically operated safety pressure relief valve is fitted inside the appliance, it **MUST** only be replaced by authorised service personnel with an identical valve to prevent a safety hazard.
- The steam generator is fitted with a safety overload cut-out that **MUST** only be reset or replaced with an identical component by authorised service personnel to prevent a safety hazard
- Every time the steam generator heats up from cold, the air inside the appliance prevents steam from being delivered immediately. After one minute of heating up set the steam regulation knob to maximum position and push-button under pistol grip, to expel this air
- Never put detergents, perfumes or any other chemical substances in the water tank

ELECTRICAL INSTRUCTIONS

To avoid a circuit overload, do not operate another high-wattage appliance on the same circuit simultaneously with the steam cleaner. If an extension cord is necessary, a 15-amp rated cord with a polarized plug should be used. Cords rated for less may overheat and cause damage.

WATER INSTRUCTIONS

Your steam cleaner has been planned for use with normal tap water. In order to extend the life of this product, if where you are living the level of water hardness is very high, we recommend using 50% of normal water with 50% of distilled water.

TEST FIRST, THEN CLEAN

Prior to cleaning, test the surfaces to be steam cleaned.

DESCRIPTION OF THE STEAM CLEANER

1. Main switch
 2. Main panel
 3. Electrical cord
 4. Water tank cap
 5. Carrying Handle
 6. Wheels
 7. Flexible hose connecting outlet
- A. Ready steam light
 - B. Low water control light
 - C. 1 steam regulation light
 - D. 2 steam regulation light
 - E. Hot water injection light
 - F. Pressure gauge



*Product colour may vary from image shown

ACCESSORIES WITH STEAM CLEANER

8. Rectangular floor brush
9. Triangular brush with black polyester bristles
10. Black upholstery scraper
11. Funnel
12. (2) 30 mm small brush with black polyester bristles
13. 30 mm small brush with brass bristles
14. 30 mm small brush with stainless steel bristles
15. Extension pipes
16. Nozzle with brass tip
17. 2,45m flexible hose
18. Pad for triangular brush
19. Drain opener key
20. Pad for rectangular brush
21. Towel



HOW TO USE YOUR STEAM CLEANER

1. Remove the water tank cap (4) and fill the water tank (4) up to the maximum of 3L (10 to 11 cups) of water. Secure the cap until snug.
2. Connect the electrical cord to the main power outlet.
3. Plug the flexible steam hose to the steamer (7), and slide on appropriate accessories to the other end of the steam hose.
4. Turn the main power switch (1) from the "O" position to the "I" position. The switch light will come on. The steam generator will be supplied water from the water tank via an electronically controlled pump and the heating of the water begins. It is normal to hear a buzzing noise from the pump when it is in operation.

When the unit has reached proper pressure, the steam ready light (A) will come on, indicating that it is now ready for use. The steam ready light (A) will go on and off during use, indicating the change of pressure in the boiler unit.

Note: When calling for steam at the beginning of each use, you may notice a rapid decrease in the pressure to the unit. This is normal as the air in the unit is being voided, and should only last for a short period of time at the beginning of each use.

Note: The steam volume being used may be regulated from a dial on the hose handle - See the following Features section on HOW TO CHANGE STEAM VOLUME.

HANDLE CONTROL

5. When the water level is low in the water tank, a red low water light (B) will light up. Remove the tank cap (4) and refill the water tank at this time.
6. When finished use, turn the main power switch (1) back to position O, and unplug from wall. Please allow the unit to cool down prior to storage. If not using the unit for an extended period of time (more than 3 months), it is advised to drain the steam generator tank.

To drain the steam generator tank:

Drain the tank only when the unit is cold. Make sure unit is unplugged from wall and the hose is not connected to the unit. Carefully turn unit upside down so that the bottom is facing upwards. Unscrew the drainage cap at the bottom of the machine, then open the boiler drainage plug using the 20mm hexagonal drain nut opener (provided with the accessory kit (19)). Once the tank is open, carefully turn the machine around and empty steam generator tank. Once emptied, replace the drain nut and cap.

Note: Do not store unit where the temperatures may fall below freezing. Water freezing inside the unit may cause damage to components.

HOW TO CHANGE STEAM VOLUME

1. The steam volume can be controlled by the steam regulator knob located on the steam hose handle.

Positions 1 to 3 are for steam only. Each successive number provides a higher volume than the last. (1. Low. 2. Medium. 3. High.)

Position 4 activates the hot water injection function. This feature mixes steam and hot water to produce a strong cleaning jet. **Please note in this position, the steam pressure and water level will go down much more quickly than if steam only is being used.

THIS MODEL IS PROVIDED WITH THE FOLLOWING FEATURES

STEAM READY LIGHT (A)

A green light signals that the steam has reached the maximum working pressure and the unit is ready to be used.

LOW WATER CONTROL LIGHT (B)

A red low water warning light signals that the water tank needs to be refilled. If you wish to continue steam cleaning, unscrew the water tank cap (4) and refill the tank.

STEAM REGULATIONS LIGHTS AND HANDLE CONTROL

The two yellow lights signal the three possible regulations of steam quantity/strength. The first steam regulation on-light (C) corresponds to the minimum steam quantity, position 1 on the handle (G). The second regulation on- light (D) corresponds to a medium steam quantity, position 2 on the handle (H). Both the first and second regulation on-lights (C + D) correspond to the maximum steam quantity, position 3 on the handle (I).

HOT WATER INJECTION LIGHT AND HANDLE CONTROL

This yellow light signals the activation of the hot water Injection feature. When this light (E) is on (position 4 on the handle (J)), the steam is blended with hot water, making it ideal for rinsing applications.

USING THE ACCESSORIES

CONNECTING THE ACCESSORIES

Lift the hinged cover (7) on the lower front of the steam generator and fit the hose plug connector (16) by depressing the red button and pushing firmly in until a 'click' is heard indicating that the hose plug is inserted all the way. The hose **MUST** be properly connected, otherwise the solenoid valve will not function and steam will not be delivered through the hose or attachments. To deliver steam, activate the button situated on the underside of the handle.

LARGE RECTANGULAR FLOOR BRUSH

For cleaning hard floors, attach the extension tubes (15) to the angle adapter to use the large rectangular brush (8). Attach a dry cloth to the brush for the most effective cleaning of hard floors or carpet surface cleaning.

TRIANGULAR/UPHOLSTERY BRUSH

The triangular brush (9) is used where it is impossible or awkward to use the large brush.

UPHOLSTERY, DRAPERY, BEDDING, ETC.

Cover the brush with a clean dry cloth fixing it through the spring. Use a rapid back and forth motion, making sure that you do not over saturate the material with steam.

IMPORTANT: Prior to cleaning, do a patch test in an area that is not easily seen before you begin. Steam and moisture may cause damage to some surfaces.

HIGH PRESSURE NOZZLE WITH SMALL ROUND BRUSH (NYLON, BRASS, STAINLESS STEEL)

The high-pressure nozzle can be used with or without one of the small round brushes supplied with the steam cleaner. For items that are particularly prone to scratches, it is best to use the nozzle without a brush. For all other areas, start with the nylon brush (least abrasive) and carefully work your way up to the brass, then the stainless steel brush (optional). It is always better to use care when using the brushes to prevent damage or scratching.

The use of the steam nozzle alone is particularly good for cleaning and degreasing many working surfaces, ventilation hoods, see through oven doors, ventilation grating, kitchen furniture, stainless steel or enamel sinks, hand-basins, bath-tubs, water taps (to remove scale and water residue), doors, metal frames, car wheel rims, pet areas etc.

The nylon brush, because of its softness, is ideal for removing the dirt in grout, sinks and other surfaces where you need some light scrubbing action, but care must be taken not to scratch the surface.

Tougher cleaning jobs may require the use of the brass brush that is supplied. Please make sure you are careful that it does not scratch the surface with this tool. Brass is tougher than nylon, but softer than stainless steel. For surfaces (grout for example) where the dirt is not being properly lifted with the nylon brush, carefully using the brass brush may give the best results.

For the toughest cleaning assignments (very caked on grease, rust, barbecue grills, very dirty grout), we recommend that you purchase the optional stainless steel brush that is available through your dealer, or at www.reliablecorporation.com

When using the steam nozzle with or without the brushes, you will need a cloth to wipe up the moisture and dirt that has been lifted through cleaning.

ATTACHMENT COUPLINGS

If the attachment connections dry up after intensive use, put a small amount of lubricant (Vaseline) around the O-rings on the male attachment.

FILLING THE TANK

If on the main panel (2), the water level control light (B) comes on during use and you would like to continue using the steam cleaner, you will need to follow these steps:

1. Unscrew the black water tank cap (4)
2. Fill the tank with water (see water instructions for details).
3. Place the tank cap (4) back on.

If you're using the trolley with the external water bottle connected to the water tank cap, follow the same steps listed above but directed to the water bottle.

MAINTENANCE OF THE BOILER

To maintain your steam cleaner in good condition and to ensure consistent performance, we recommend that you clean the boiler once or twice a year depending on the hardness of the water.

CLEANING INSTRUCTIONS

ATTENTION: Before draining the boiler, please make sure that the machine is depressurized and cool. Ensure that it is also disconnected from the power source.

1. Take off the drainage cap at the bottom of the machine using a coin.
2. Completely unscrew the boiler brass drainage nut from the boiler, using a 20 mm hexagonal key (19).
3. To clean the boiler, we recommend using a descaling powder that can be purchased from www.reliablecorporation.com
4. Add the descaling powder with a mixture of warm water through the bottom of the boiler.
5. Let the mixture of warm water and powder sit for 24 hours.
6. Rinse thoroughly to ensure that all of the descaling powder has been removed
7. After cleaning, twist close the drainage nut and replace the cap.

NOTE: if you see that the water that is coming out from the boiler is full of dirt/limestone, we suggest that you repeat this operation more frequently, perhaps three to four times per year.

TECHNICAL DESCRIPTION

120V ~ Power	1750W
Cold water tank capacity	3,1L
Boiler capacity	1,6L
Working pressure	6 bar
Continuous steam system (CSS)	Yes
Steam Regulations	3
Safety valve	Yes
Hot water injection	Yes
Limestone Magnetic Filter	Yes
Certifications	cETLus

TROUBLESHOOTING

Do not operate the steam cleaner with a damaged electrical cord, plug or if the steam cleaner has been dropped or damaged. To avoid risk of electric shock, do not disassemble or attempt to repair the unit on your own. Return the unit to Reliable Corporation (see warranty) for examination repair.

PROBLEM	POSSIBLE CAUSES	REMEDY
No steam is released through the steam fittings.	<ol style="list-style-type: none"> 1. Steam unit is not turned on. 2. Water tank is empty. 3. Unit is not plugged in. 4. Generator is not fully heated. 	<ol style="list-style-type: none"> 1. Turn on main switch (1) 2. If the red light (B) is flashing on and off and you can hear a noise, fill up the tank. 3. Plug unit into outlet 4. Wait for the green light (A) to turn on.
Water drops leak from the attachments.	<ol style="list-style-type: none"> 1. Unit is not fully heated. 2. Condensation was created from non-use. 	<ol style="list-style-type: none"> 1. Wait for light (A) to turn on. 2. Let water run through system until steam comes out.
Dirty water is coming out.	<ol style="list-style-type: none"> 1. Scale may have built up. 	<ol style="list-style-type: none"> 1. Follow cleaning instructions in book.
Not enough steam pressure.	<ol style="list-style-type: none"> 1. The dial on the handle may be set too low. 	<ol style="list-style-type: none"> 1. Turn the dial until the desired pressure is reached.
Pump works continuously.	<ol style="list-style-type: none"> 1. Air in water line. 	<ol style="list-style-type: none"> 1. Press the trigger (on/off) then turn the unit on and keep the trigger pressed down for 30 seconds.
Rapid drop in pressure.	<ol style="list-style-type: none"> 1. Too much water in the boiler. 	<ol style="list-style-type: none"> 1. Turn the knob on the handle to #4 to release excess water. (Repeat if necessary).
<p>(PROBLEM) There is no steam, all the lights remain on and the pump is continuously running. (POSSIBLE CAUSES) 1. You're using too much steam (pos. 4). 2. Water pump is broken. (REMEDY) 1. Turn off main switch (1) wait 1 minute then turn back and wait for green light (A) to turn on. 2) Contact Reliable Corporation for service.</p>		

1000CC TROLLEY ASSEMBLY INSTRUCTIONS

1. Trolley base unit
2. Tray to carry accessories
3. Trolley handle
4. Rotating wheels (2)
5. Back wheels (2)
6. Chrome back wheel cover (4)
7. Self locking nuts (2)
8. Washers (4)
9. Brass wheel cover (2)
10. Fixing cap (4)
11. Water bottle with tap
12. Transparent silicone hose
13. Cap
14. Wrench

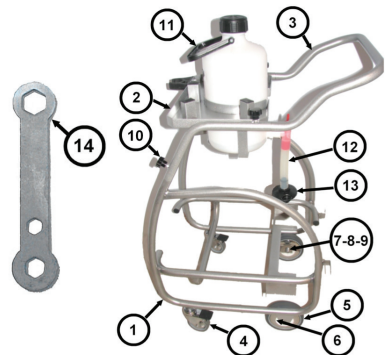




Fig. 1

1. Turn the trolley upside down in order to easily screw the rotating back wheels into the threaded holes (fig. 1).



Fig. 2

2. Assemble the wheel in the following order: washer, chrome back wheel cover, back wheel, brass wheel cover, chrome back wheel cover, washer and fix them with a self-locking nut on the shaft (fig. 2). Screw using the spanner, please be careful not to close them too tightly.



Fig. 3

3. Hold the trolley up and put the steam cleaner in it. Tilt the machine forward in order to position the front wheels in their place. This will allow a correct positioning of the back wheels also (fig. 3)

*Be sure that the electrical cord support is not attached to the Brio Pro before installing onto the trolley.



Fig. 4

4. Put the accessory tray on the trolley base unit and screw the fixing caps (fig. 4).



Fig. 5

5. The fixing caps should be tightened until the trolley structure is secure (fig. 5).



Fig. 6

6. Screw the cap to the steam cleaner tank. (fig. 6)



Fig. 7

7. Put the water tank on the accessory tray and connect the silicone hose to the machine valve cap, ensuring that it is well connected to avoid water leakage. Turn the water tap to the OFF position and fill the tank with water (fig.7).



Fig. 8

8. Open the tap to begin using the water.
NOTE: It is important to close the tap when the machine is turned off.

ADDITIONAL INFORMATION

THE WATER TROLLEY SYSTEM DOES NOT REQUIRE THE BOTTLE TO BE REMOVED FOR FILLING.

During use do NOT pull the steam hose with force, it could move the machine on the trolley.

If you need to put the WATER BOTTLE on a FLAT surface, rotate the tap to a horizontal position (fig.8).



Steam cleaning is a proven method of disinfection. The Reliable Brio Pro 1000CC (EnviroMate PRO EP1000), and the Reliable Tandem Pro 2000CV (EnviroMate FLEX EF700) have been certified to kill the following microorganisms:

Organism	Organism Type	Exposure Time	Percentage of Organisms Killed*
VRE (vancomycin-resistant enterococcus)	bacteria	2 seconds	>99.9997
staphylococcus aureus	bacteria	2 seconds	>99.9995
pseudomonas aeruginosa	bacteria	2 seconds	>99.99
listeria monocytogenes	bacteria	2 seconds	>99.999
e coli	bacteria	2 seconds	>99.999
salmonella enterica serovar choleraesuis	bacteria	2 seconds	>99.999999
MRSA (methicillin resistant staphylococcus aureus)	bacteria	2 seconds	>99.9999
klebsiella pneumonia	bacteria	2 seconds	>99.99999
shigella flexneri	bacteria	2 seconds	>99.9999
clostridium difficile (vegetative and endospores)	bacteria	2 seconds	>99.9999
candida albicans	fungus	2 seconds	>99.999
trichophyton mentagrophy	fungus	2 seconds	>99.998
aspergillus niger	fungus	2 seconds	>99.999

* QUANTITATIVE HARD SURFACE KILL-TIME BASED ON ASTM-E1153 AS TESTED BY A LEADING INDEPENDENT CERTIFIED TEST LABORATORY, EMSL ANALYTICAL. RESULTS LISTED ARE FOR BOTH THE BRIO PRO 1000CC (ENVIROMATE PRO EP 1000) AND TANDEM PRO 2000CV (ENVIROMATE FLEX EF-700).

(EMSL Analytical is an independent, 3rd party testing laboratory providing quality lab services under the same private ownership since 1981. EMSL Analytical operates over thirty laboratories nationwide in the US and Canada. The company has an extensive list of accreditations from leading organizations, as well as state and federal regulating bodies.)

For more information or to receive the Certificate of Analysis for any of the above bacteria or fungi please contact Reliable Corporation at sales@reliablecorporation.com 1 800 268 1649

RELIABLE CORPORATION LIFETIME
PRODUCT WARRANTY POLICY FOR
PRESSURIZED STEAM BOILER TANKS



Reliable Corporation ("Reliable") warrants to the original purchaser of the boiler noted above from Reliable (the "Reliable Boiler Tank") that it will be free from defects in materials and workmanship when utilized for normal use by the original purchaser only. Should the Reliable Boiler Tank need replacement, Reliable will do so at no parts and labor cost to the original purchaser, exclusive of shipping.

Subject to the conditions and limitations set forth below, Reliable will either repair or replace any part of a Reliable Boiler Tank that proves defective by reason of improper workmanship or materials. If the defective Reliable Boiler Tank is no longer available and cannot be repaired effectively or replaced with an identical model, Reliable shall replace the defective Reliable Boiler Tank with a current Reliable Boiler Tank of equal or greater value. Repaired parts or replacement products will be provided by Reliable on an exchange basis, and will be either new or refurbished to be functionally equivalent to new. If Reliable is unable to repair or replace a Reliable Boiler Tank, it will refund the current value of that Reliable Boiler Tank at the time the warranty claim is made.

This limited warranty does not cover any damage to a Reliable Boiler Tank that results from improper installation, accident, abuse, misuse, unreasonable use, natural disaster, insufficient or excessive electrical supply, abnormal mechanical or environmental conditions or any unauthorized disassembly, repair or modification. This limited warranty does not extend to any indirect, consequential or incidental damages that may be suffered by a user from the use of a Reliable Boiler Tank, including without limitation, any liability for third party claims for damage, and is limited to the amount paid by the original purchaser for the Reliable Boiler Tank with respect to which this limited warranty protection applies. This limited warranty does not apply with respect to products that have been altered or which are missing serial numbers or for products not purchased directly from Reliable or a dealer authorized by Reliable to sell the Reliable Boiler Tank.

This limited warranty is the only warranty that applies to the Reliable Boiler Tank, supersedes any and all terms that may be contained in any other document or purchase order and may not be altered or amended except expressly in writing by Reliable.

To obtain a repair or replacement under the terms of this warranty, please contact our customer service group at 1 800 268 1649 or at support@reliablecorporation.com. You will be required to submit an original receipt via fax or e-mail. The receipt must reflect that you are the original purchaser, the product was bought directly from Reliable or from an authorized Reliable dealer and that the warranty claim is being made in compliance with the terms set out in this document or any subsequent document issued by Reliable in connection with this policy. You will be issued a return authorization number (RA#) and asked to ship the defective product together with proof of purchase and RA#, prepaid insured to the following address: Reliable Corporation, 5-100 Wingold Ave, Toronto, ON M6B 4K7.

Freight collect shipments will be refused. The risk of loss or damage in transit will be borne by the customer. Once Reliable receives the defective product, it will initiate the repair or replacement process.



Reliable Corporation (“Reliable”) warrants to original purchaser of its products that every product sold by Reliable (a “Reliable Product”) is free from defects in material and workmanship for a period of one year from the date of purchase if properly used and maintained. Subject to the conditions and limitations set forth below, Reliable will either repair or replace any part of a Reliable Product that proves defective by reason of improper workmanship or materials. If the defective Reliable Product is no longer available and cannot be repaired effectively or replaced with an identical model, Reliable shall replace the defective Reliable Product with a current Reliable Product of equal or greater value. Repaired parts or replacement products will be provided by Reliable on an exchange basis, and will be either new or refurbished to be functionally equivalent to new. If Reliable is unable to repair or replace a Reliable Product, it will refund the current value of that Reliable Product at the time the warranty claim is made.

This limited warranty does not cover any damage to a Reliable Product that results from improper installation, accident, abuse, misuse, natural disaster, insufficient or excessive electrical supply, abnormal mechanical or environmental conditions, wear and tear resulting from normal use of the product, or any unauthorized disassembly, repair, or modification. This limited warranty does not extend to any indirect, consequential or incidental damages that may be suffered by a user or from the use of a Reliable Product, including without limitation, any liability for third party claims for damage, and is limited to the amount paid by the original purchaser Reliable Product with respect to which this limited warranty protection applies. This limited warranty does not apply with respect to products that have been altered or which are missing serial numbers or for products not purchased directly from Reliable or a dealer authorized by us to sell Reliable Products.

This limited warranty is the only warranty that applies to any Reliable Product, supersedes any and all terms that may be contained in any other document or purchase order and may not be altered or amended except expressly in writing by Reliable.

To obtain a repair or replacement under the terms of this warranty, please contact our customer service group at 1-800-268-1649 or at support@reliablecorporation.com. You will be required to submit an original receipt via fax or e-mail. The receipt must reflect that you are the original purchaser, the product was bought directly from us or from an authorized Reliable dealer and that the warranty claim is being made within the warranty period. You will be issued a return authorization number (RA#) and asked to ship the defective product together with proof of purchase and RA#, prepaid insured to the following address:

Reliable Corporation, 5-100 Wingold Avenue, Toronto, ON M6B 4K7. Freight collect shipments will be refused. The risk of loss or damage in transit will be borne by the customer. Once Reliable receives the defective product, it will initiate the repair or replacement process.

If you have any questions regarding this warranty, you may write to:

Reliable Corporation
100 Wingold Avenue, Unit 5
Toronto, Ontario
Canada M6B 4K7
www.reliablecorporation.com

BRIO PRO 1000CC
SYSTÈME DE NETTOYAGE À VAPEUR
GUIDE D'UTILISATION
FRANÇAIS

RELIABLE. PROCHE DE VOUS.

Chez Reliable, nous faisons ce que nous aimons et sommes fiers de bien le faire. Vous voulez ce qu'il y a de mieux pour les personnes, les lieux et les choses importantes de votre vie - depuis l'endroit où vous vivez jusqu'aux vêtements que vous portez. Nous aussi. Depuis le début, nous approchons chaque produit avec une attention aux détails artisanale et la passion de le fabriquer. La qualité, la fonctionnalité, la conception et le service à la clientèle jouent des rôles également importants dans notre mission de vous fournir ce qui vous correspond. Le Brio Pro 1000CC prend en charge en toute facilité les travaux de nettoyage et d'assainissement les plus difficiles. Des hôpitaux et établissements scolaires en passant par les restaurants et hôtels, le Brio Pro 1000CC est supérieur, en rendement et en prix, aux équipements comparables de la catégorie du nettoyage à la vapeur.

Pour votre sécurité et pour profiter pleinement des avantages de ce produit, veuillez prendre quelques minutes pour lire toutes les importantes mises en garde et les directives d'entretien. Gardez ce manuel et la garantie du produit à portée de main pour vous y référer ultérieurement.

NOUS VOUS REMERCIONS DE VOTRE ACHAT. NOUS VOUS INVITONS À FAIRE PART DE VOTRE EXPÉRIENCE EN PUBLIANT UNE ÉVALUATION EN LIGNE SUR LE SITE WEB AUPRÈS DUQUEL VOUS AVEZ EFFECTUÉ VOTRE ACHAT ! NOUS VOUS EN SERIONS RECONNAISSANTS !

IMPORTANTES INSTRUCTIONS RELATIVES À LA SÉCURITÉ

- Lors de l'utilisation de votre nettoyeur à vapeur Reliable, des précautions basiques de sécurité doivent toujours être observées. Veuillez lire attentivement les instructions suivantes car elles donnent des renseignements importants sur comment installer, utiliser et effectuer l'entretien de ce nettoyeur à vapeur.
- Utilisez uniquement le nettoyeur à vapeur dans le but pour lequel il est prévu.
- Afin de vous protéger contre un risque de choc électrique, n'immergez pas le nettoyeur à vapeur dans l'eau ou tout autre liquide.
- Le nettoyeur à vapeur doit toujours être ÉTEINT (OFF) avant de le brancher ou de le débrancher d'une prise de courant murale. Ne tirez jamais sur le cordon d'alimentation pour le déconnecter de la prise ; au lieu de cela, saisissez-vous de la prise et tirez dessus pour la déconnecter.
- Ne laissez pas le cordon d'alimentation toucher des surfaces chaudes. Laissez le nettoyeur à vapeur refroidir complètement avant de le ranger. Enroulez le cordon d'alimentation autour des montants qui sont situés à l'arrière du nettoyeur à vapeur lorsqu'il n'est pas utilisé.
- Ne faites pas fonctionner le nettoyeur à vapeur avec un cordon ou une prise endommagé(e), ou si le nettoyeur à vapeur est tombé ou est endommagé. Cela annule toute garantie. Veuillez contacter le lieu d'achat pour la procédure de réparation.
- Une étroite supervision est nécessaire si tout appareil est utilisé par ou près d'enfants. Ne laissez pas le nettoyeur à vapeur allumé sans surveillance.
- N'utilisez pas cette unité en présence d'explosifs et/ou de vapeurs inflammables.
- Maintenez les fentes de ventilation sans poussière.
- Ne laissez pas tomber ni n'insérez jamais d'objet dans les fentes de ventilation.
- Pour éviter la surchauffe, démêlez complètement le cordon électrique.
- Ne faites pas fonctionner dans des lieux où des produits aérosol (de pulvérisation) sont en cours d'utilisation ou où de l'oxygène est en cours d'administration.
- Pour débrancher, tournez toutes les commandes en position éteintes (off), puis retirez la prise de l'alimentation principale.
- Ne rangez jamais votre nettoyeur à vapeur tant qu'il est encore chaud. Il n'est pas nécessaire de vider le réservoir sauf si vous prévoyez de ne pas l'utiliser pendant une longue période.
- Ce produit est prévu pour une utilisation domestique ou commerciale.
- Avant d'allumer le nettoyeur à vapeur, veuillez vous assurer que le réservoir d'eau est plein.
- Ce produit est mis à la terre pour votre sécurité. Si vous devez utiliser un cordon prolongateur, assurez-vous que son ampérage nominal soit au minimum de 15 A et qu'il soit mis à la terre.
- N'entrez jamais l'appareil dans une zone qui est susceptible de geler.
- Une soupape de décharge à actionnement hydraulique est installée à l'intérieur de l'appareil, elle DOIT uniquement être remplacée par une soupape identique par du personnel de service autorisé pour éviter un danger relatif à la sécurité.
- Le générateur de vapeur est installé avec un disjoncteur de surcharge de sécurité qui DOIT uniquement être réinitialisé ou remplacé par un composant identique par du personnel de service autorisé pour éviter un risque relatif à la sécurité.

- À chaque fois que le générateur de vapeur monte en température à froid, l'air à l'intérieur de l'appareil évite que la vapeur soit évacuée immédiatement. Après une minute de mise en température, réglez le bouton de régulation de la vapeur sur la position maximale et appuyez sur le bouton sous la poignée du pistolet pour expulser l'air.
- Ne mettez jamais de détergents, de parfums ou tout autre produit chimique dans le réservoir d'eau.
- Ne tentez jamais de vidanger le réservoir quand le bouilleur est chaud.

INSTRUCTIONS ÉLECTRIQUES

Pour éviter une surcharge du circuit, ne faites pas fonctionner simultanément un autre appareil de grande puissance sur le même circuit du nettoyeur à vapeur. Si un câble prolongateur est nécessaire, un câble de 15 A nominal avec une prise polarisée doit être utilisé. Des cordons avec une spécification inférieure peuvent surchauffer et entraîner des dommages.

INSTRUCTIONS RELATIVES À L'EAU

Votre nettoyeur à vapeur a été prévu pour être utilisé avec de l'eau courante du robinet. Afin de prolonger la durée de vie de ce produit, si vous vivez dans une zone où le niveau de dureté de l'eau est très élevé, nous recommandons d'utiliser 50% d'eau normale avec 50% d'eau distillée.

TESTEZ D'ABORD, PUIS NETTOYEZ

Avant de nettoyer, testez d'abord les surfaces à nettoyer à la vapeur. Nous n'assumerons aucune responsabilité si des dommages sont dûs au fait de ne pas avoir réalisé le test auparavant.

DESCRIPTION DU NETTOYEUR À VAPEUR

1. Interrupteur principal
 2. Panneau principal
 3. Cordon électrique
 4. Bouchon du réservoir d'eau
 5. Poignée de transport
 6. Roues
 7. Orifice de sortie de raccord du tuyau flexible
-
- A. Témoin de vapeur prête
 - B. Témoin de niveau d'eau faible
 - C. 1er témoin de régulation de la vapeur
 - D. 2nd témoin de régulation de la vapeur
 - E. Témoin d'injection d'eau chaude
 - F. Manomètre



* La couleur du produit peut varier selon l'image affichée

ACCESSOIRES AVEC LE NETTOYEUR À VAPEUR

8. Brosse à plancher rectangulaire
9. Brosse triangulaire avec poils en polyester noir
10. Grattoir de rembourrage noir
11. Entonnoir
12. (2) Petite brosse de 30 mm avec des poils en polyester noir
13. Petite brosse de 30 mm avec des poils en laiton
14. Petite brosse de 30 mm avec des poils en acier inoxydable
15. Tuyaux d'extension
16. Buse avec pointe en laiton
17. Tuyau flexible de 2,45 m
18. Pad pour brosse triangulaire
19. Touche d'ouverture du drain
20. Tampon pour brosse rectangulaire
21. Serviette



COMMENT UTILISER VOTRE NETTOYEUR À VAPEUR

1. Enlever le bouchon du réservoir d'eau (4) et remplir le réservoir d'eau (4) jusqu'au maximum de 3 l (10 à 11 tasses) d'eau. Visser le bouchon jusqu'à ce qu'il soit serré.
2. Connecter le cordon électrique à la prise d'alimentation électrique.
3. Brancher le tuyau de vapeur flexible au nettoyeur vapeur (7) et insérez les accessoires adéquats à l'autre extrémité du tuyau de vapeur en les y faisant glisser.
4. Faire basculer l'interrupteur de marche / arrêt (1) de la position « O » à la position « I ». Le témoin lumineux de l'interrupteur s'allume. Le générateur de vapeur est alimenté en eau par le réservoir d'eau grâce à une pompe à commande électronique et le chauffage de l'eau commence. Il est normal d'entendre un bourdonnement de la pompe lorsqu'elle est en fonctionnement.

Lorsque l'appareil a atteint la pression adéquate, le témoin lumineux de vapeur prête (A) s'allume, indiquant qu'il est désormais prêt à l'usage. Le témoin de vapeur prête (A) s'allume et s'éteint pendant l'utilisation, indiquant les changements de pression dans l'unité de chauffe.

Remarque : Lorsque vous sollicitez la vapeur au début de chaque utilisation, vous remarquerez peut-être une diminution rapide de la pression de l'appareil. Cela est normal car l'air dans l'appareil est en train de se vider, et cela devrait seulement durer un court instant au début de chaque utilisation.

Remarque : Le volume de vapeur utilisé peut être réglé depuis un cadran situé sur la poignée du tuyau - Voir la section Fonctions ci-dessous dans COMMENT CHANGER LE VOLUME DE VAPEUR.

5. Lorsque le niveau de l'eau dans le réservoir d'eau est bas, un témoin lumineux rouge de niveau d'eau bas (B) s'allume. Lorsque cela arrive, enlever le bouchon du réservoir (4) et remplir le réservoir d'eau.
6. Une fois l'utilisation terminée, faire basculer l'interrupteur marche / arrêt de la position « 1 » à la position « 0 » et débrancher l'appareil de la prise murale. Veuillez laisser refroidir l'appareil avant de le ranger. Si vous n'utilisez pas l'appareil pendant une période prolongée (plus de 3 mois), nous vous recommandons de vidanger le réservoir du générateur de vapeur.

Pour vidanger le réservoir du générateur de vapeur :

Vidangez le réservoir seulement lorsque l'appareil est froid. Assurez-vous que l'appareil est débranché de la prise murale et que le tuyau n'est pas connecté à l'appareil. Retournez l'appareil de telle façon que le bas de l'appareil regarde vers le haut. Dévissez le bouchon de vidange en bas de la machine, puis desserrez l'obturateur de vidange de l'unité de chauffe à l'aide de la clé hexagonale de 20 mm (fournie avec le kit d'accessoires (19)). Une fois le réservoir ouvert, retournez l'appareil avec précaution et videz le réservoir du générateur de vapeur. Une fois vide, remplacez l'écrou de vidange et le bouchon.

Remarque : Ne pas stocker l'appareil à des températures pouvant tomber en-dessous de zéro. La présence d'eau gelée dans l'appareil peut endommager ses composants.

COMMENT CHANGER LE VOLUME DE VAPEUR

1. Le volume de vapeur peut être commandé par la manette de régulation de vapeur située sur la poignée du tuyau de vapeur.

Les positions 1 à 3 sont réservées à la vapeur. Chaque numéro fournit un volume de vapeur supérieur au précédent. (1. Bas. 2. Moyen. 3. Haut).

La position 4 active la fonction d'injection d'eau chaude. Cette fonction mélange de la vapeur et de l'eau chaude pour produire un jet nettoyant puissant. **Veuillez noter que, dans cette position, la pression de la vapeur et le niveau de l'eau baissent beaucoup plus rapidement que si vous utilisez seulement de la vapeur.

CE MODÈLE EST FOURNI AVEC LES CARACTÉRISTIQUES SUIVANTES

TÉMOIN DE VAPEUR PRÊTE (A)

Une lumière verte signale que la vapeur a atteint la pression de service maximale et que l'unité est prête à être utilisée.

TÉMOIN DE NIVEAU D'EAU FAIBLE (B)

Une lumière rouge d'avertissement de niveau d'eau faible signale que le réservoir d'eau doit être rempli. Si vous souhaitez continuer à nettoyer à la vapeur, dévissez le bouchon du

réservoir d'eau (4) et remplissez le réservoir.

TÉMOINS DE RÉGULATIONS DE LA VAPEUR ET COMMANDES DE LA POIGNÉE

Les deux témoins lumineux jaunes signalent les trois possibles régulations de la quantité/ puissance de la vapeur. Le premier témoin allumé de régulation de la vapeur (C) correspond à la quantité minimum de vapeur, position 1 sur la poignée (G).

Le second témoin allumé de régulation (D) correspond à la quantité moyenne de vapeur, position 2 sur la poignée (H). Les deux témoins allumés ensemble (C + D) correspondent à la quantité maximum de vapeur, position 3 sur la poignée (I).

TÉMOIN D'INJECTION D'EAU CHAUDE ET COMMANDES DE LA POIGNÉE

Ce témoin lumineux jaune signale l'activation de la fonction d'injection d'eau chaude.

Quand ce témoin (E) est allumé (position 4 sur la poignée (J)), la vapeur est mélangée avec de l'eau chaude, la rendant idéale pour les applications de rinçage.

UTILISATION DES ACCESSOIRES

CONNEXION DES ACCESSOIRES

Soulevez le couvercle articulé (7) sur la partie avant inférieure du générateur de vapeur et connectez le raccord de tuyau (16) en appuyant sur le bouton rouge et en poussant fermement vers l'intérieur jusqu'à ce qu'un « clic » soit entendu qui indique que le raccord de tuyau est complètement inséré. Le tuyau DOIT être raccordé correctement, sinon l'électrovalve ne fonctionnera pas et la vapeur ne passera pas dans le tuyau ou les accessoires. Pour faire passer de la vapeur, activez le bouton situé sur le dessous de la poignée.

GRANDE BROSSE RECTANGULAIRE POUR SOL

Pour le nettoyage des sols durs, fixez les tubes prolongateurs (15) à l'adaptateur d'angle pour utiliser la grande brosse rectangulaire (8). Fixez un tissu sec à la brosse pour un nettoyage plus efficace des sols durs ou le nettoyage de tapis.

BROSSE TRIANGULAIRE/POUR REVÊTEMENT

La brosse triangulaire (9) est utilisée quand il est impossible ou difficile d'utiliser la grande brosse.

REVÊTEMENT, RIDEAUX, LITERIE, ETC.

Couvrez la brosse avec un tissu sec et propre en le fixant grâce au ressort. Effectuez un mouvement rapide en avant et en arrière, en vous assurant que vous ne saturez pas le matériau de vapeur.

IMPORTANT : Avant le nettoyage, effectuez une vérification de la couleur dans une zone qui n'est pas facilement visible avant de commencer. La vapeur et l'humidité peuvent causer des dommages à certaines surfaces.

BUSE HAUTE PRESSION AVEC PETITE BROSSE RONDE (NYLON, LAITON, ACIER INOXYDABLE)

La buse haute pression peut être utilisée avec ou sans l'une des petites brosses rondes fournies avec le nettoyeur à vapeur. Pour les éléments qui sont particulièrement sensibles aux rayures, il est préférable d'utiliser la buse sans brosse. Pour toutes les autres zones, commencez avec la brosse en nylon (moins abrasive) et travaillez avec précaution en passant à la brosse en laiton puis à celle en acier inoxydable (en option). Il est toujours préférable de prendre des précautions lors de l'utilisation de brosses pour éviter des dommages ou des rayures.

L'utilisation d'une buse de vapeur seule est particulièrement adaptée pour le nettoyage et le dégraissage de nombreuses surfaces de travail, hottes de ventilation, portes vitrées des fours, grilles de ventilation, le mobilier de cuisine, les éviers en acier inoxydable ou en émail, les lavabos, les baignoires, la robinetterie (pour retirer le tartre et les résidus d'eau), les portes, les cadres métalliques, les jantes de véhicules, les zones des animaux de compagnie, etc.

La brosse en nylon, grâce à sa douceur, est idéale pour retirer la saleté dans les coulis, les éviers et les autres surfaces où vous avez besoin d'une action légère de frottement, mais devez être prudent pour ne pas rayer la surface.

Des travaux de nettoyage plus difficiles peuvent nécessiter l'utilisation de la brosse en laiton qui est fournie. Veuillez vous assurer de faire attention à ne pas rayer la surface avec cet outil. Le laiton est plus dur que le nylon, mais plus tendre que l'acier inoxydable. Pour des surfaces (coulis par exemple) où la saleté n'est pas correctement délogée avec la brosse en nylon, l'utilisation prudente de la brosse en laiton peut donner de meilleurs résultats.

Pour les tâches de nettoyage les plus difficiles (accumulation de graisse brûlée, rouille, grille de barbecue, coulis très sale), nous vous recommandons d'acheter la brosse en acier inoxydable en option qui est disponible chez votre distributeur ou au www.reliablecorporation.com.

Lors de l'utilisation de la buse de vapeur avec ou sans brosse, vous aurez besoin d'un tissu pour essuyer l'humidité et la saleté qui a été soulevée lors du nettoyage.

RACCORDEMENTS DES ACCESSOIRES

Si les connexions de l'accessoire s'assèchent après un usage intensif, disposez une petite quantité de lubrifiant (vaseline) autour des joints toriques sur le raccord mâle.

REPLISSAGE DU RÉSERVOIR

Si sur le panneau principal (2), le témoin d'avertissement du niveau d'eau (B) s'allume lors de l'utilisation et que vous souhaitez continuer d'utiliser le nettoyeur à vapeur, vous aurez besoin de suivre ces étapes :

1. Dévissez le bouchon noir du réservoir d'eau (4)

2. Remplissez le réservoir avec de l'eau (voir les instructions relatives à l'eau pour plus de détails).
3. Remettez le bouchon du réservoir (4).

Si vous utilisez le chariot avec la bonbonne d'eau externe raccordée au bouchon du réservoir d'eau, suivez les mêmes étapes listées ci-dessus mais pour la bonbonne d'eau.

MAINTENANCE DU CHAUFFE-EAU

Pour maintenir votre nettoyeur à vapeur en bon état et pour garantir un fonctionnement constant, nous vous recommandons de nettoyer le chauffe-eau une à deux fois par an, en fonction de la dureté de l'eau.

INSTRUCTIONS DE NETTOYAGE

ATTENTION : Avant de vidanger le chauffe-eau, veuillez vous assurer que la machine est à température ambiante et qu'elle est déconnectée de la source d'alimentation.

1. Retirez le bouchon de vidange en bas de la machine à l'aide d'une pièce de monnaie
2. Dévissez complètement l'écrou de vidange en laiton du chauffe-eau en utilisant la clé hexagonale (19) de 20 mm.
3. Après la nettoyage, resserrez bien l'écrou de vidange et remettez le bouchon.

REMARQUE : si vous constatez que l'eau qui sort du chauffe-eau est pleine de saleté/calcaire, nous vous suggérons de répéter cette opération plus fréquemment, peut-être trois à quatre fois par an.

DESCRIPTION TECHNIQUE

120 V ~ Puissance	1750 W
Capacité du réservoir d'eau froide	3,1 L
Capacité du chauffe-eau	1,6 L
Pression de fonctionnement	6 bar
Système de vapeur continue (SVC)	Oui
Régulations de la vapeur	3
Valve de sûreté	Oui
Injection d'eau chaude	Oui
Filtre magnétique anti-calcaire	Oui
Certifications	cETLus

DÉPANNAGE

N'utilisez pas le nettoyeur à vapeur avec un cordon électrique ou une prise endommagé(e), ou si le nettoyeur à vapeur est tombé ou est endommagé. Pour éviter tout risque de choc électrique, ne démontez pas ou ne tentez pas de réparer l'unité par vous-même. Renvoyez l'unité à Reliable Corporation (voir garantie) pour une révision, une réparation ou un remplacement.

PROBLÈME	CAUSES POSSIBLES	SOLUTION
Aucune vapeur ne passe à travers les raccords de tuyauterie.	<ol style="list-style-type: none"> 1. L'unité de vapeur n'est pas allumée. 2. Le réservoir d'eau est vide. 3. L'unité n'est pas branchée. 4. Le générateur n'est pas entièrement réchauffé. 	<ol style="list-style-type: none"> 1. Allumez l'interrupteur principal (1) 2. Si le témoin lumineux rouge (B) clignote en s'allumant puis en s'éteignant et que vous entendez un bruit, remplissez le réservoir. 3. Branchez l'unité sur l'alimentation électrique 4. Attendez que le témoin lumineux vert (A) s'allume.
Des gouttes d'eau tombent des raccords.	<ol style="list-style-type: none"> 1. L'unité n'est pas entièrement réchauffée. 2. De la condensation a été créée pendant la période de non-utilisation. 	<ol style="list-style-type: none"> 1. Attendez que le témoin lumineux (A) s'allume. 2. Laissez l'eau circuler à travers le circuit jusqu'à ce que la vapeur sorte.
L'eau qui en sort est sale.	<ol style="list-style-type: none"> 1. Du tartre s'est peut-être accumulé. 	<ol style="list-style-type: none"> 1. Suivez les instructions de nettoyage du guide.
Pas assez de pression de vapeur.	<ol style="list-style-type: none"> 1. Le cadran sur la poignée est peut-être réglé sur une position trop faible. 	<ol style="list-style-type: none"> 1. Tournez le cadran jusqu'à ce que la pression souhaitée soit atteinte.
Pompe fonctionne en continu.	<ol style="list-style-type: none"> 1. Air dans la conduite d'eau. 	<ol style="list-style-type: none"> 1. Appuyez sur la gâchette (on/off), puis allumer l'appareil et de garder la gâchette enfoncée pendant 30 secondes.
Chute rapide de la pression.	<ol style="list-style-type: none"> 1. Trop d'eau dans la chaudière. 	<ol style="list-style-type: none"> 1. Tournez le bouton sur la poignée pour # 4 pour libérer l'excès d'eau. (Répéter si nécessaire).
<p>(PROBLÈME) Il n'y a pas de vapeur, tous les témoins restent allumés et la pompe fonctionne continuellement. (CAUSES POSSIBLES) 1. Vous utilisez trop de vapeur (pos. 4). 2. La pompe à eau est cassée. (SOLUTION) 1. Coupez l'interrupteur principal (1) attendez 1 minute puis allumez de nouveau et attendez que la lumière verte (A) s'allume. 2) Contactez Reliable Corporation pour une révision.</p>		

INSTRUCTIONS D'ASSEMBLAGE DU CHARIOT 1000CC

1. Base du chariot
2. Plateau de transport des accessoires
3. Poignée du chariot
4. Roues pivotantes (2)
5. Roues arrière (2)
6. Protections des roues arrière en chrome (4)
7. Écrous de sécurité (2)
8. Rondelles (4)
9. Protections des roues en laiton (2)
10. Capuchons de fixation (4)
11. Bonbonne d'eau avec robinet
12. Tuyau transparent en silicone
13. Bouchon
14. Clé

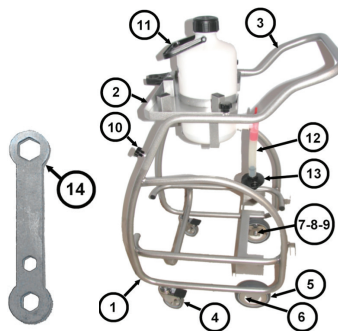




Fig. 1

1. Retournez le chariot à l'envers afin de visser facilement les roues arrières pivotantes dans les trous filetés (Fig. 1).



Fig. 2

2. Assemblez la roue dans l'ordre suivant : rondelle, protection de roue en chrome, roue arrière, protection de roue en laiton, rondelle et fixez-les avec un écrou de sécurité sur l'arbre (fig. 2). Vissez à l'aide de la clé, veuillez faire attention à ne pas trop les serrer.



Fig. 3

3. Maintenez le chariot à l'endroit et placez le nettoyeur à vapeur dans celui-ci. Penchez la machine vers l'avant afin de placer les roues avant dans leur emplacement. Cela permettra aussi un positionnement correct des roues arrières (fig. 3)

* Assurez-vous que le support de cordon électrique ne soit pas attaché à la Brio Pro avant d'installer sur le chariot.



Fig. 4

4. Mettez le plateau pour accessoires sur la base du chariot et vissez les capuchons de fixation (fig. 4).



Fig. 5

5. Les capuchons de fixation doivent être serrés jusqu'à ce que la structure du chariot soit sûre (fig. 5).



Fig. 6

6. Vissez le bouchon sur le réservoir du nettoyeur à vapeur. (fig. 6)



Fig. 7

7. Mettez le réservoir d'eau sur le plateau d'accessoires et de connecter le tuyau de silicone pour le capuchon de valve de la machine , assurant qu'il est bien relié à éviter les fuites d'eau . Tournez le robinet d'eau à la position OFF et remplir le réservoir avec de l'eau (Fig.7).



8. Ouvrez le robinet.

NOTE : Il est important de fermer le robinet quand la machine est arrêtée.

INFORMATIONS SUPPLÉMENTAIRES

LE CIRCUIT D'EAU DU CHARIOT NE REQUIERT PAS DE RETIRER LA BONBONNE LORS DU REMPLISSAGE.

Lors de l'utilisation, NE tirez PAS sur le tuyau à vapeur avec FORCE, cela pourrait déplacer la machine sur le chariot.

Si vous devez mettre la BONBONNE D'EAU sur une surface PLANE, tournez le robinet en position horizontale (fig. 8).

POLITIQUE DE GARANTIE À VIE DES
RÉSEROIRS DE CHAUFFE-EAU SOUS
PRESSION DE RELIABLE CORPORATION



Reliable Corporation (« Reliable ») garantit à l'acheteur original du chauffe-eau susmentionné de Reliable (le « réservoir de chauffe-eau Reliable ») qu'il sera exempt de tout défaut de fabrication et de main d'œuvre dans le cadre d'une utilisation normale par l'acheteur original uniquement. Si un remplacement du réservoir de chauffe-eau Reliable s'avérait nécessaire, Reliable y procédera sans aucun frais de pièces ni de main d'œuvre pour l'acheteur original, à l'exclusion des frais d'expédition.

Soumis aux conditions et limitations établies ci-après, Reliable réparera ou remplacera toute pièce d'un réservoir de chauffe-eau Reliable qui s'avère défectueux en raison d'un défaut de fabrication ou de matériaux défectueux. Si le réservoir de chauffe-eau Reliable défectueux n'est plus disponible et ne peut pas être réparé efficacement ou remplacé par un modèle identique, Reliable remplacera le réservoir de chauffe-eau Reliable défectueux par un réservoir de chauffe-eau Reliable actuel de valeur équivalente ou supérieure. Les pièces réparées ou les produits remplacés seront fournis par Reliable sur la base d'un échange, et seront soit neufs ou remis à neuf pour être fonctionnellement équivalents aux neufs. Si Reliable n'est pas en mesure de réparer ou de remplacer un réservoir de chauffe-eau Reliable, elle remboursera la valeur actuelle dudit réservoir de chauffe-eau Reliable au moment où la réclamation de garantie est réalisée.

Cette garantie limitée ne couvre aucun dommage subi par un réservoir de chauffe-eau Reliable résultant d'une installation incorrecte, d'un accident, d'un abus, d'une mauvaise utilisation, d'une utilisation déraisonnable, d'une catastrophe naturelle, d'une alimentation électrique insuffisante ou excessive, de conditions mécaniques ou environnementales anormales, ou de tout démontage, réparation ou modification non autorisé. Cette garantie limitée ne s'étend à aucun dommage indirect ou direct dont peut être victime un utilisateur suite à l'utilisation d'un réservoir de chauffe-eau Reliable, y compris mais sans s'y limiter, toute responsabilité pour des réclamations de tiers pour des dégâts, et se limite au montant payé par l'acheteur original du réservoir de chauffe-eau auquel cette protection de garantie limitée s'applique. Cette garantie limitée ne s'applique pas aux produits qui ont été modifiés ou dont les numéros de séries sont manquants, ou aux produits non achetés directement auprès de Reliable ou d'un revendeur agréé par Reliable pour vendre des réservoirs de chauffe-eau Reliable.

Cette garantie limitée est l'unique garantie qui s'applique au réservoir de chauffe-eau Reliable, elle remplace toutes conditions qui peuvent être contenues dans un autre document ou bon de commande et ne peut être transformée ou modifiée, sauf dérogation expressément écrite de Reliable.

Pour obtenir une réparation ou un remplacement en vertu des conditions de cette garantie, veuillez contacter notre service à la clientèle au 1 800 268 1649 ou par courriel à support@reliablecorporation.com. Il vous sera demandé d'envoyer le reçu original par fax ou courriel. Le reçu doit prouver que vous êtes l'acheteur original, que le produit a été acheté directement chez Reliable ou chez un revendeur agréé par Reliable et que la réclamation de garantie est effectuée conformément aux conditions définies dans le présent document ou tout document subséquent publié par Reliable en rapport avec la présente garantie. Un numéro d'autorisation de retour (N° AR) vous sera donné et il vous sera demandé d'expédier le produit défectueux accompagné de la preuve d'achat et du N° AR, les frais d'assurances étant prépayés à l'adresse suivante : Reliable Corporation, 5-100 Wingold Ave, Toronto, ON M6B 4K7.

Les expéditions avec fret à destination seront refusées. Le risque de perte ou d'endommagement lors du transport sera assumé par le client. Une fois que Reliable aura reçu le produit défectueux, elle initiera la réparation ou le remplacement.

Reliable Corporation (« Reliable ») garantit à l'acheteur original de ce produit que chaque produit vendu par Reliable (un « Produit Reliable ») est exempt de tout défaut de pièce et de main d'œuvre pour une période d'un an à compter de la date d'achat, s'il est utilisé et entretenu correctement. Soumis aux conditions et limitations établies ci-après, Reliable réparera ou remplacera toute pièce d'un produit Reliable qui s'avère défectueuse en raison d'un défaut de fabrication ou de main d'œuvre. Si le Produit Reliable défectueux n'est plus disponible et ne peut pas être réparé efficacement ou remplacé par un modèle identique, Reliable remplacera le Produit Reliable défectueux par un Produit Reliable actuel de valeur équivalente ou supérieure. Les pièces réparées ou les produits remplacés seront fournis par Reliable sur la base d'un échange, et seront ou neufs ou remis à neuf pour être fonctionnellement équivalents aux neufs. Si Reliable n'est pas en mesure de réparer ou de remplacer le Produit Reliable, elle remboursera la valeur actuelle du Produit Reliable au moment où la réclamation de garantie est réalisée.

Cette garantie limitée ne couvre aucun dommage subi par un Produit Reliable résultant d'une installation incorrecte, d'un accident, d'un abus, d'une mauvaise utilisation, d'une catastrophe naturelle, d'une alimentation électrique insuffisante ou excessive, de conditions mécaniques ou environnementales anormales, de l'usure et de la détérioration résultant de l'usure normale du produit, ou de tout démontage, réparation ou modification non autorisée(e). Cette garantie limitée ne s'étend à aucun dommage indirect ou direct dont peut être victime un utilisateur ou suite à l'utilisation d'un Produit Reliable, y compris mais sans s'y limiter, toute responsabilité pour des réclamations de tiers pour des dégâts, et se limite au montant payé par l'acheteur original du Produit Reliable auquel cette protection de garantie limitée s'applique. Cette garantie limitée ne s'applique pas aux produits qui ont été modifiés ou dont les numéros de séries sont manquants, ou aux produits non achetés directement auprès de Reliable ou d'un revendeur agréé pour la vente de Produits Reliable.

Cette garantie limitée est l'unique garantie qui s'applique à tout Produit Reliable, elle remplace toutes conditions qui peuvent être contenues dans un autre document ou bon de commande et ne peut être transformée ou modifiée, sauf dérogation expressément écrite de Reliable.

Pour obtenir une réparation ou un remplacement en vertu des conditions de cette garantie, veuillez contacter notre service à la clientèle au 1-800-268-1649 ou par courriel à support@reliablecorporation.com.

Il vous sera demandé d'envoyer le reçu original par télécopie ou courriel. Le reçu doit prouver que vous êtes l'acheteur original, que le produit a été acheté directement chez nous ou chez un revendeur agréé par Reliable et que la réclamation de garantie est effectuée pendant la période de garantie. Un numéro d'autorisation de retour (N° AR) vous sera fourni et il vous sera demandé d'expédier le produit défectueux accompagné de la preuve d'achat et du N° AR, les frais d'assurances étant prépayés à l'adresse suivante :

Reliable Corporation, 5-100 Wingold Avenue, Toronto, ON M6B 4K7. Les expéditions avec fret payable à destination seront refusées. Le risque de perte ou d'endommagement lors du transport sera assumé par le client. Une fois que Reliable aura reçu le produit défectueux, elle initiera la réparation ou le remplacement.

Si vous avez des questions concernant la présente garantie, vous pouvez écrire à :

Reliable Corporation
100 Wingold Avenue, Unit 5
Toronto, Ontario
Canada M6B 4K7
www.reliablecorporation.com

BRIO PRO 1000CC
SISTEMA DE LIMPIEZA A VAPOR
MANUAL DE INSTRUCCIONES
ESPAÑOL

RELIABLE. JUNTO A USTED.

En Reliable, hacemos lo que nos encanta hacer y nos enorgullecemos de hacerlo bien. Quiere lo mejor para las personas, los lugares y las cosas que importan en la vida: desde dónde vive a la ropa que viste. Nosotros también. Desde el inicio, abordamos cada producto con la atención al detalle de un artesano y la pasión por hacerlo bien. La calidad, la funcionalidad, el diseño y el servicio al consumidor son igual de importantes para ofrecerle algo adecuado para usted.

Por su seguridad y para disfrutar al máximo las ventajas de este producto, tómese unos minutos para leer todas las precauciones importantes e instrucciones de cuidado. Conserve este manual a mano y lea la garantía del producto para su referencia.

GRACIAS POR SU COMPRA. COMPARTA SU EXPERIENCIA CON UN PRODUCTO CONFIABLE PUBLICANDO UN COMENTARIO ONLINE EN EL SITIO WEB DONDE REALIZÓ SU COMPRA. SE LO AGRADECEREMOS MUCHO.

INSTRUCCIONES DE SEGURIDAD IMPORTANTES

- Cuando utilice su limpiadora a vapor Reliable, siempre siga las precauciones básicas de seguridad. Lea atentamente estas instrucciones porque en ellas se ofrece información importante en materia de instalación, uso y cuidado del equipo.
- Utilice la limpiadora a vapor únicamente con el fin para el cual se indica.
- Para protegerse del riesgo de sufrir una descarga eléctrica, no sumerja la limpiadora a vapor en agua u otros líquidos.
- APAGUE siempre la limpiadora a vapor antes de enchufarla o desenchufarla del tomacorriente. Nunca jale del cable para desconectarlo del tomacorriente; tome el enchufe y tire de él para desconectarlo.
- Evite que el cable entre en contacto con superficies calientes. Antes de guardar la limpiadora a vapor, deje que se enfríe por completo. Cuando no utilice la limpiadora, enrolle el cable en los soportes que están ubicados en la parte posterior del equipo.
- No ponga en funcionamiento la limpiadora a vapor si el cable o el enchufe están dañados o si el equipo ha sufrido una caída o está dañado. El uso del equipo en estas condiciones anula toda garantía. Comuníquese con el lugar de compra para iniciar el procedimiento de reparación.
- Es necesario supervisar cualquier equipo que se utilice cerca de niños o que lo utilicen ellos. No deje la limpiadora a vapor encendida sin supervisión.
- No use este equipo cerca de explosivos o gases inflamables.
- Mantenga limpias las hendidias de ventilación.
- Jamás abandone o introduzca objetos dentro de las hendidias de ventilación.
- Para evitar el recalentamiento del equipo, desenrede el cable por completo.
- No ponga en funcionamiento el equipo cuando se utilicen productos en aerosol (pulverizadores) o se administre oxígeno.
- Para desconectar, apague todos los controles y luego desenchufe el equipo de la fuente de poder principal.
- No guarde la limpiadora a vapor si aún está caliente. No es necesario vaciar el depósito de agua a menos que no vaya a utilizar el equipo durante un largo período de tiempo.
- Este producto está hecho para uso doméstico o comercial.
- Antes de encender la limpiadora a vapor, asegúrese de que el depósito de agua esté lleno.
- Para la seguridad del usuario, este producto tiene puesta a tierra. Si es necesario un cable de extensión, asegúrese de que su capacidad normal sea de al menos 15 amperios y que tenga puesta a tierra.
- Jamás guardar el aparato en un sitio que posiblemente se congele.
- El aparato está equipado con una válvula de descompresión hidráulica de seguridad, que DEBE ser reemplazada por una válvula idéntica para prevenir cualquier peligro de seguridad, lo cual estará a cargo del personal de servicio autorizado.
- Como medida de seguridad, el generador de vapor está equipado con un interruptor automático de seguridad que, para evitar peligros, DEBE ser restablecido o reemplazado únicamente por un componente idéntico y por personal de servicio autorizado.

- Cada vez que la temperatura en el generador de vapor aumenta, el aire que se encuentra dentro del aparato evita la salida inmediata del vapor. Una vez transcurrido un minuto del calentamiento, lleve la perilla reguladora de vapor a la posición máxima y presione el botón ubicado debajo del mango de la pistola para expulsar el aire.
- Nunca coloque detergentes, perfumes u otras sustancias químicas en el depósito de agua.
- No intente jamás vaciar el depósito cuando la temperatura de la caldera sea elevada.

INSTRUCCIONES PARA LA CONEXIÓN ELÉCTRICA

Para evitar una sobrecarga en el circuito, no ponga en funcionamiento otro aparato de alto vataje, simultáneamente en el mismo circuito de la limpiadora a vapor. Si es necesario un cable de extensión, debe utilizarse uno de 15 amperios y enchufe polarizado. Los cables con valores nominales más bajos pueden recalentarse y causar daños.

INSTRUCCIONES PARA EL AGUA

Su limpiadora a vapor ha sido diseñada para utilizarla con agua del grifo. Para extender la vida útil de este producto, si en el lugar donde usted reside el nivel de dureza del agua es muy alto, recomendamos usar 50% de agua normal y 50% de agua destilada.

PRIMERO REALICE LA PRUEBA, LUEGO LIMPIE

Antes de limpiar, haga una prueba a las superficies a tratar con vapor. No asumiremos responsabilidad alguna por los daños a causa de no realizar una prueba previa.

DESCRIPCIÓN DE LA LIMPIADORA A VAPOR

1. Interruptor principal
 2. Panel principal
 3. Cable eléctrico
 4. Tapón del depósito de agua
 5. Asa de transporte
 6. Ruedas
 7. Salida de conexión de la manguera flexible
- A. Luz indicadora de vapor
 - B. Luz indicadora de bajo nivel de agua
 - C. 1ra luz indicadora de regulación del vapor
 - D. 2da luz indicadora de regulación del vapor
 - E. Luz indicadora de inyección de agua caliente
 - F. Manómetro



* El color del producto puede variar de la imagen mostrada

ACCESORIOS SUMINISTRADOS CON LA LIMPIADORA A VAPOR

8. Cepillo de piso rectangular
9. Cepillo triangular con cerdas negras de poliéster
10. Raspador de tapicería negro
11. Embudo
12. (2) Cepillo pequeño de 30 mm con cerdas negras de poliéster
13. Cepillo pequeño de 30 mm con cerdas de latón
14. Cepillo pequeño de 30 mm con cerdas de acero inoxidable
15. Tubos de extensión
16. Boquilla con punta de latón
17. Manguera flexible de 2,45 m
18. Almohadilla para cepillo triangular
19. Drenar la llave del abrelatas
20. Almohadilla para pincel rectangular
21. Paño



CÓMO UTILIZAR SU LIMPIADORA A VAPOR

1. Retire el tapón del depósito de agua (4) y agregue agua hasta alcanzar el nivel máximo de 3 litros (de 10 a 11 tazas). Coloque nuevamente el tapón y ajuste bien.
2. Conecte el cable al tomacorriente principal.
3. Enchufe la manguera flexible de vapor en la aspiradora (7), y coloque los accesorios adecuados en el otro extremo de la manguera.
4. Gire el interruptor principal (1) de la posición "O" a la "I". Se encenderá la luz del interruptor. El generador de vapor recibirá el agua del depósito por medio de una bomba electrónica. De esta manera, comienza a calentarse el agua. Mientras la bomba esté funcionando, escuchará un zumbido.

Cuando la unidad alcance la presión adecuada, se encenderá la luz indicadora de vapor (A): la unidad está lista para su uso. Durante el uso, la luz indicadora de vapor (A) se encenderá y apagará para indicar el cambio de presión en el calentador.

Nota: Cuando active la función de vapor al comenzar cada uso, puede observar una rápida

caída de la presión de la unidad. Esto se debe a que se elimina el aire de la unidad, y solo debería ocurrir por un breve instante al comienzo de cada uso.

Nota: Puede regularse el volumen de vapor en uso mediante el selector ubicado en el mango de la manguera. Consulte la siguiente sección de Características en CONTROL DEL MANGO Y LUCES DE VOLUMEN DE VAPOR.

5. Cuando esté bajo el nivel de agua en el depósito, se encenderá una luz roja (B). Retire el tapón del depósito (4) y agregue agua.
6. Cuando termine de usar la unidad, gire el interruptor principal (1) hacia la posición "O" y desenchufe la unidad. Antes de guardarla, deje que se enfríe. Si no piensa usarla por un período prolongado de tiempo (más de 3 meses), se recomienda drenar el tanque generador de vapor.

Para drenar el tanque generador de vapor:

Solo drene el tanque cuando la unidad esté fría. Asegúrese de que esté desenchufada y que la manguera no esté conectada a la unidad. Voltéela cuidadosamente para que la parte inferior quede hacia arriba. Desenrosque el tapón de drenaje de la parte inferior. Luego, abra el tapón de drenaje del calentador con la llave hexagonal de 20 mm que trae el kit de accesorios (19). Una vez que esté abierto el tanque, gire cuidadosamente la unidad y vacíe el tanque generador de vapor. Cuando ya esté vacío, coloque nuevamente la tuerca de drenaje y el tapón.

Nota: No guarde la unidad en un lugar en el que la temperatura puede caer por debajo del punto de congelamiento. El congelamiento del agua en el interior de la unidad puede dañar los componentes.

CÓMO CAMBIAR EL VOLUMEN DE VAPOR

1. El volumen de vapor puede regularse con la perilla ubicada en el mango vaporizador.

Las posiciones 1, 2 y 3 son solo para vapor. A partir de la posición 4, cada número brinda más volumen de vapor que el número anterior. (1. Mínimo; 2. Medio; 3. Máximo)

La posición 4 activa la inyección de agua caliente. Esta función combina el vapor con el agua caliente para generar un potente chorro limpiador.**Tenga en cuenta que, en esta posición, la presión del vapor y el nivel del agua descenderán mucho más rápidamente que si solo utiliza vapor.

ESTE MODELO CUENTA LAS SIGUIENTES FUNCIONES

Luz Indicadora de Vapor Disponible (A)

La luz verde señala que el vapor ha alcanzado la presión máxima de trabajo y que el equipo está listo para ser utilizado.

Luz Testigo de Bajo Nivel de Agua (B)

La luz roja de bajo nivel de agua advierte sobre la necesidad de volver a llenar el depósito de agua. Si usted desea continuar limpiando con vapor, desenrosque el tapón del depósito

de agua (4) y complete el nivel de agua en el depósito.

LUCES INDICADORAS DE LA REGULACIÓN DEL VAPOR Y CONTROL EN EL ASA

Las dos luces amarillas indican las tres posibles regulaciones en cuanto a cantidad y potencia del vapor. La primera luz encendida que señala la regulación del vapor (C) corresponde a la cantidad mínima de vapor, posición 1 en el asa (G). La segunda luz reguladora (D) corresponde a la cantidad media de vapor, posición 2 en el asa (H). Ambas luces encendidas (C + D) indican la cantidad máxima de vapor, posición 3 en el asa (I).

LUZ INDICADORA DE INYECCIÓN DE AGUA CALIENTE Y CONTROL EN EL ASA

Esta luz amarilla indica la activación de la función de inyección de agua caliente. Cuando esta luz (E) se enciende, posición 4 en el asa (J), el vapor se mezcla con agua caliente y se convierte en un elemento ideal para realizar enjuagues.

USO DE LOS ACCESORIOS

CONEXIÓN DE LOS ACCESORIOS

Levante la tapa articulada (7) ubicada al frente y en la parte inferior del generador de vapor. Para acoplar el conector de la manguera (16), pulse el botón rojo y manténgalo presionado con fuerza hasta escuchar un "clíc", sonido que indica que el conector fue colocado correctamente. La manguera DEBE quedar conectada adecuadamente, de lo contrario la válvula de solenoide no funcionará y el vapor no será conducido por la manguera o los accesorios. Para liberar el vapor, active el botón ubicado en la parte inferior del asa.

CEPILLO RECTANGULAR GRANDE PARA PISOS

En el caso de limpiar pisos, acople los tubos de extensión (15) al adaptador angular para utilizar el cepillo grande rectangular (8). Coloque un paño seco en el cepillo para lograr una limpieza más efectiva de pisos y superficies alfombradas.

CEPILLO TRIANGULAR/PARA TAPICERÍA

El cepillo triangular (9) se usa cuando resulta imposible o incómodo utilizar el cepillo grande.

TAPICERÍA, CORTINADOS, ROPA DE CAMA, ETC.

Cubra el cepillo con un paño limpio y seco, sujete este último con la ayuda de la pieza elástica. Aplique un movimiento rápido de atrás hacia adelante y asegúrese de no sobresaturar el material con vapor.

IMPORTANTE: antes de limpiar, realice primero una prueba de color en un área poco visible para corroborar que no haya daño. Vapor y la humedad pueden provocar daños en algunas superficies.

BOQUILLA DE ALTA PRESIÓN CON CEPILLO REDONDO PEQUEÑO (NYLON, BRONCE, ACERO INOXIDABLE)

La boquilla para alta presión puede utilizarse con o sin uno de los pequeños cepillos redondos que se proporcionan con la limpiadora a vapor. Para piezas que puedan rayarse fácilmente, lo mejor es usar la boquilla sin cepillo. En el resto de las áreas, comience con el cepillo de nylon (menos abrasivo) y trabaje con cuidado, cambie por el de bronce y luego por el de acero inoxidable (opcional). Siempre es mejor ser cuidadoso al emplear los cepillos, para evitar daños o rayado.

El uso de la boquilla de vapor sola, es muy bueno para limpiar y desengrasar varias superficies de trabajo, campanas de ventilación, puertas transparentes de hornos, rejillas de ventilación, muebles de cocina, fregaderos de acero inoxidable o esmaltados, lavatorios, bañeras, grifos (para eliminar sarro y sedimentos), puertas, marcos metálicos, llantas de automóviles, espacios ocupados por mascotas, etc.

El cepillo de nylon, por su suavidad, es ideal, ya que elimina la suciedad de lechadas de cemento, sumideros y otras superficies donde usted necesita lavar suavemente el área, pero con el cuidado de no rayarla.

En los casos de lavados más difíciles, puede ser necesario utilizar el cepillo de bronce que se provee. Asegúrese de tomar los recaudos para evitar rayar la superficie con esta herramienta. El bronce es más duro que el nylon, pero más suave que el acero inoxidable. Para las superficies (por ejemplo, en lechadas de cemento) donde el cepillo de nylon no logra levantar la suciedad en forma adecuada, el uso cuidadoso del cepillo de bronce puede ofrecer mejores resultados.

Para las tareas de limpieza más difíciles (grandes acumulaciones de grasa, óxido, parrillas, lechadas de cemento muy sucias), le recomendamos adquirir el cepillo de acero inoxidable opcional, que está disponible a través de su distribuidor o al www.reliablecorporation.com.

Cuando utilice la boquilla de vapor con o sin los cepillos, usted necesitará un paño para secar la humedad y la suciedad que se desprende al limpiar.

UNIONES DE LOS ACCESORIOS

Si las conexiones de los accesorios se secan luego de un uso intensivo, aplique una cantidad pequeña de lubricante (Vaselina) en las juntas tóricas de la conexión macho.

LLENADO DEL DEPÓSITO

Si durante el uso se enciende en el panel de control (2) la luz indicadora de bajo nivel de agua (B) y si desea continuar limpiando con vapor, deberá seguir los siguientes pasos:

1. Destornillar el tapón negro del depósito de agua (4).
2. Llenar con agua el depósito (ver instrucciones respecto del agua para obtener

más detalles).

3. Volver a colocar el tapón en el depósito (4).

Si usted está utilizando el carro con el tubo de agua externo conectado al tapón del depósito de agua, siga los mismos pasos enumerados arriba pero en el tubo de agua.

MANTENIMIENTO DE LA CALDERA

Para mantener en buenas condiciones su limpiadora a vapor y con el propósito de asegurar un rendimiento constante, le recomendamos limpiar la caldera una o dos veces al año, según la dureza del agua.

INSTRUCCIONES DE LIMPIEZA

ATENCIÓN: antes de vaciar la caldera, asegúrese de que la máquina esté a temperatura ambiente y desconectada de la fuente de energía.

1. Con la ayuda de una moneda, retirar el tapón de drenaje que se encuentra en la base de la máquina.
2. Destornillar por completo la tuerca de drenaje de bronce de la caldera, con una llave hexagonal de 20 mm (19).
3. Después de limpiar, enroscar y cerrar la tuerca de drenaje y volver a colocar el tapón.

NOTA: si usted nota que el agua que sale de la caldera está llena de suciedad o piedra caliza, le sugerimos repetir esta operación con más frecuencia, quizá tres a cuatro veces al año.

DESCRIPCIÓN TÉCNICA

120 V ~ de Potencia	1750 W
Capacidad del depósito de agua fría	3.1 L
Capacidad de la caldera	1.6 L
Presión de trabajo	6 bares
Sistema de vapor continuo (CSS)	Sí
Opciones para regular el vapor	3
Válvula de seguridad	Sí
Inyección de agua caliente	Sí
Filtro magnético para piedra caliza	Sí
Certificaciones	cETLus

DETECCIÓN Y RESOLUCIÓN DE PROBLEMAS

No ponga en funcionamiento la limpiadora a vapor si el cable o el enchufe están dañados o si el equipo ha sufrido una caída o está dañado. Para evitar el riesgo de sufrir una descarga eléctrica, no desarme o intente reparar el equipo sin ayuda. Regrese el equipo a Reliable Corporation (consulte la garantía) para su examen, reparación o reemplazo.

PROBLEMA	CAUSAS POSIBLES	SOLUCIÓN
Los accesorios correspondientes no están liberando vapor.	<ol style="list-style-type: none"> 1. El equipo de vapor no está encendido. 2. El depósito de agua está vacío. 3. El equipo no está enchufado. 4. El generador no se ha calentado por completo. 	<ol style="list-style-type: none"> 1. Encienda el interruptor principal (1). 2. Si la luz roja (B) se enciende y apaga en forma intermitente y usted escucha un sonido, llene el depósito de agua. 3. Enchufe el equipo a un tomacorriente. 4. Espere que la luz verde (A) se encienda.
Gotea agua de las conexiones.	<ol style="list-style-type: none"> 1. El equipo no se ha calentado por completo. 2. Se produjo condensación debido a la falta de uso. 	<ol style="list-style-type: none"> 1. Espere que la luz (A) se encienda. 2. Deje correr agua por el sistema hasta que salga vapor.
Sale agua sucia.	<ol style="list-style-type: none"> 1. Puede existir acumulación de sarro. 	<ol style="list-style-type: none"> 1. Siga las instrucciones de limpieza consignadas en el manual.
La presión de vapor es insuficiente.	<ol style="list-style-type: none"> 1. La configuración del selector ubicado en el asa puede estar demasiado baja. 	<ol style="list-style-type: none"> 1. Gire el selector hasta alcanzar la presión deseada.
Bomba funciona continuamente.	<ol style="list-style-type: none"> 1. Aire en la línea de agua. 	<ol style="list-style-type: none"> 1. Presione el gatillo (on/off) y luego encienda la unidad y mantenga el gatillo presionado durante 30 segundos.
El rápido descenso de la presión.	<ol style="list-style-type: none"> 1. El exceso de agua en la caldera. 	<ol style="list-style-type: none"> 1. Gire la perilla de la palanca para # 4 para liberar el exceso de agua. (Repita si es necesario).

(PROBLEMA) No hay vapor, todas las luces siguen encendidas y la bomba funciona en forma continua.
 (CAUSAS POSIBLES) 1. Usted está utilizando demasiado vapor (posición 4). 2. La bomba de agua está dañada.
 (SOLUCIÓN) 1. Apague el interruptor principal (1), aguarde 1 minuto; luego, vuelva a encender el equipo y espere a que se encienda la luz verde (A). 2) Comuníquese con Reliable Corporation para solicitar un servicio de mantenimiento.

INSTRUCCIONES DE MONTAJE DEL CARRO 1000CC

1. Base del carro
2. Bandeja para el transporte de accesorios
3. Asa del carro
4. Ruedas giratorias (2)
5. Ruedas traseras (2)
6. Tapas cromadas traseras (4)
7. Tuercas autobloqueantes (2)
8. Arandelas (4)
9. Tapa de bronce de las ruedas (2)
10. Tapón de fijación (4)
11. Recipiente de agua y tapa
12. Manguera transparente de silicona
13. Tapón
14. Llave inglesa

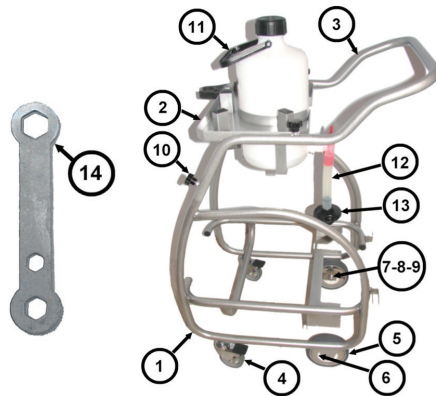




Fig. 1

1. Coloque el carro cabeza abajo para atornillar con facilidad las ruedas giratorias traseras dentro de los orificios roscados (fig. 1).



Fig. 2

2. Arme la rueda respetando el siguiente orden: arandela, tapa cromada trasera, rueda trasera, tapa de bronce, tapa cromada trasera, arandela; y fíjelos al eje utilizando una tuerca autobloqueante (fig. 2). Atornille con la llave; tenga cuidado de no ajustar demasiado.



Fig. 3

3. Ponga el carro de pie y coloque dentro la limpiadora a vapor. Inclíne la máquina hacia adelante para colocar las ruedas delanteras en su sitio. Esto también permitirá un posicionamiento correcto de las ruedas traseras (fig. 3).

* Asegúrese de que el soporte de cable eléctrico no está conectado a la Brio Pro antes de instalar sobre el carro.



Fig. 4

4. Coloque la bandeja de accesorios en la base del carro y atornille los dispositivos de fijación (fig. 4).



5. Ajuste los dispositivos de fijación hasta que la estructura del carro quede firme (fig. 5).



Fig. 6

6. Atornille la sujeción al depósito de la limpiadora a vapor. (fig. 6)



7. Coloque el depósito de agua en la bandeja de accesorios y conectar la manguera de silicona a la tapa de la válvula de la máquina, asegurándose de que está bien conectado para evitar fugas de agua. Girar el grifo de agua a la posición OFF y llenar el tanque con agua (fig.7).



8. Abra el grifo.

NOTA: Es importante cerrar el golpecito cuando se apaga la máquina.

INFORMACIÓN ADICIONAL

EL SISTEMA DE CARRO DE AGUA NO EXIGE RETIRAR EL TUBO PARA LLENARLO.

Durante su uso, NO jale con FUERZA de la manguera de vapor; esto podría mover la máquina sobre el carro.

Si necesita colocar el TUBO DE AGUA sobre una superficie PLANA, gire el grifo a una posición horizontal (fig. 8).

Reliable Corporation (“Reliable”) garantiza al comprador original de la caldera descrita arriba vendida por Reliable (la “Caldera Reliable”) que se encuentra libre de defectos de material y mano de obra si es utilizada correctamente solo por el comprador original. Si la Caldera Reliable necesitara algún cambio, Reliable no le cobrará al comprador original el costo de las piezas y la mano de obra, excepto el envío.

Conforme a las condiciones y limitaciones establecidas a continuación, Reliable reparará o cambiará la pieza de la Caldera Reliable que demuestre estar defectuosa a causa de material o fabricación inadecuadas. Si la Caldera Reliable defectuosa deja de estar disponible y no puede ser reparada con eficacia o reemplazada por un modelo idéntico, Reliable cambiará la Caldera Reliable defectuosa por otra Caldera Reliable vigente de igual o mayor valor. Las piezas de recambio o repuestos serán suministrados por Reliable a cambio de las piezas originales, y serán piezas nuevas o piezas que estarán reacondicionadas para convertirse en productos funcionalmente equivalentes a piezas nuevas. Si Reliable no puede reparar o reemplazar una Caldera Reliable, la compañía reembolsará el valor de la Caldera Reliable que esté vigente al momento de reclamar la garantía.

Esta garantía limitada no cubre los daños que sufra una Caldera Reliable como resultado de una instalación inadecuada, accidente, abuso, uso incorrecto o irrazonable, desastre natural, suministro de energía eléctrica insuficiente o excesivo, condiciones mecánicas o ambientales anormales, o cualquier desarme, reparación o modificación no autorizada. Esta garantía limitada no se extiende a ningún daño indirecto, resultante o accidental que el usuario pueda sufrir por el uso de una Caldera Reliable, incluyendo, entre otros, la responsabilidad ante los reclamos presentados por terceros; y se limita al monto pagado por el comprador original de la Caldera Reliable respecto del cual tiene aplicación esta protección de garantía limitada. Esta garantía limitada no es válida para los productos que hayan sido modificados o que no tengan número de serie, o para los productos que no hayan sido comprados directamente a Reliable o a través de un vendedor autorizado por Reliable para comerciar la Caldera Reliable.

Esta garantía limitada es la única garantía que se aplica a la Caldera Reliable, reemplaza todos los términos que puedan estar contenidos en cualquier otro documento u orden de compra, y no puede ser alterada o modificada, excepto que Reliable así lo haya autorizado expresamente por escrito.

Para obtener la reparación o cambio según los términos de esta garantía, comuníquese con nuestro grupo de servicio al cliente al 1 800 268 1649 o escriba a support@reliablecorporation.com. Usted deberá presentar, por fax o correo electrónico, el comprobante original. Este comprobante debe demostrar que usted es el comprador original, que el producto fue adquirido directamente de nuestras oficinas o de un vendedor de Reliable autorizado y que el reclamo de la garantía se realiza dentro del período establecido en este documento o en un documento posterior emitido por Reliable en relación con esta póliza. Usted recibirá un número de autorización (RA#) y deberá enviar el producto defectuoso, junto con el comprobante de compra, el RA# y los seguros pagados por adelantado, a la siguiente dirección: Reliable Corporation, 5-100 Wingold Ave, Toronto, ON M6B 4K7.

Los costos de envío por cobrar serán rechazados. El riesgo de sufrir una pérdida o daño en tránsito será asumido por el cliente. Una vez que Reliable reciba el producto defectuoso, la compañía iniciará el proceso de reparación o cambio.

Reliable Corporation (“Reliable”) garantiza al comprador original de sus productos que todas las unidades vendidas por Reliable (un “Producto Reliable”) se encuentran libres de defectos de material y de mano de obra durante el período de un año a partir de la fecha de compra, si son utilizadas correctamente y han recibido el mantenimiento adecuado. En virtud de las condiciones y limitaciones establecidas a continuación, Reliable reparará o reemplazará la pieza de un Producto Reliable que demuestre estar defectuosa a causa de material o fabricación inadecuadas. Si el Producto Reliable defectuoso deja de estar disponible y no se lo puede reparar en forma eficaz ni reemplazar por un modelo idéntico, Reliable cambiará el Producto Reliable defectuoso por un Producto Reliable vigente de igual o mayor valor. Reliable proporcionará piezas reparadas o de repuesto a cambio de las piezas originales, y serán piezas nuevas o reacondicionadas para convertirse en productos funcionalmente equivalentes a piezas nuevas. Si Reliable no puede reparar ni reemplazar un Producto Reliable, reembolsará el valor del Producto Reliable que esté vigente al momento de reclamar la garantía.

Esta garantía limitada no cubre los daños que sufra un Producto Reliable como resultado de una instalación inadecuada, accidente, abuso, uso incorrecto, desastre natural, suministro de energía eléctrica insuficiente o excesivo, condiciones mecánicas o ambientales anormales, desgaste provocado por el uso normal del producto, o cualquier desarme, reparación o modificación no autorizada. Esta garantía limitada no se extiende a ningún daño indirecto, resultante o accidental que el usuario pueda sufrir o que pueda causar el uso de un Producto Reliable, incluyendo, entre otros, la responsabilidad ante los reclamos presentados por terceros; y se limita al monto pagado por el comprador original del Producto Reliable respecto del cual tiene aplicación esta protección de garantía limitada. Esta garantía limitada no es válida para productos que hayan sido modificados o que no tengan número de serie, o para productos que no hayan sido comprados directamente a Reliable o mediante un vendedor certificado que cuente con nuestra autorización para vender Productos Reliable.

Esta garantía limitada es la única que se aplica a todos los Productos Reliable, reemplaza todos los términos que puedan estar contenidos en cualquier otro documento u orden de compra, y no puede ser alterada ni modificada excepto que Reliable así lo haya autorizado expresamente por escrito.

Para obtener una reparación o cambio según los términos de esta garantía, comuníquese con nuestro grupo de atención al cliente al 1-800-268-1649 o escriba a support@reliablecorporation.com.

Usted deberá presentar, por fax o correo electrónico, el comprobante original. Este comprobante debe demostrar que usted es el comprador original, que el producto fue adquirido directamente en nuestras oficinas o a un vendedor de Reliable autorizado y que el reclamo de la garantía se realiza dentro del período correspondiente. Usted recibirá un número de autorización (RA#) y deberá enviar el producto defectuoso, junto con el comprobante de compra, el RA# y seguros pagados por adelantado, a la siguiente dirección:

Reliable Corporation, 5-100 Wingold Avenue, Toronto, ON M6B 4K7. Los costos de envío por cobrar serán rechazados. El riesgo de sufrir una pérdida o daño en tránsito será asumido por el cliente. Una vez que Reliable reciba el producto defectuoso, la compañía iniciará el proceso de reparación o reemplazo.

Si tiene preguntas sobre esta garantía, puede escribir a la siguiente dirección:

Reliable Corporation
100 Wingold Avenue, Unit 5
Toronto, Ontario
Canada M6B 4K7
www.reliablecorporation.com



1 800 268 1649
www.reliablecorporation.com