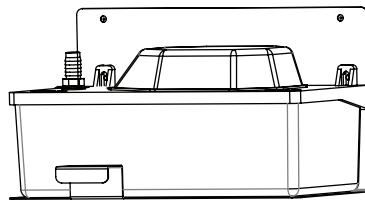


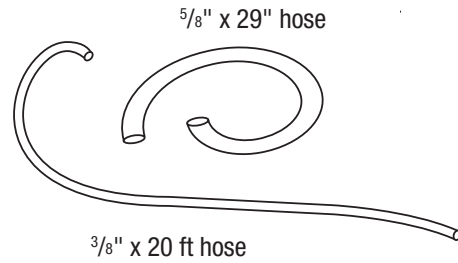
Pump Kit

Part No. 4028614

Parts Included:



Condensate Pump and Bracket



Tools Required: 5/16" Hex driver

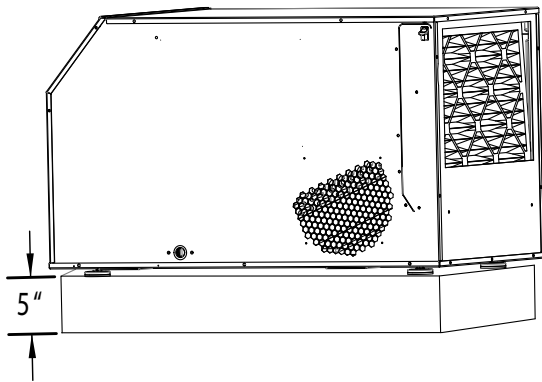
Additional Materials will be needed to elevate dehumidifier

CAUTION! Before installing duct kit, disconnect dehumidifier from electrical power and disconnect duct work if previously installed.

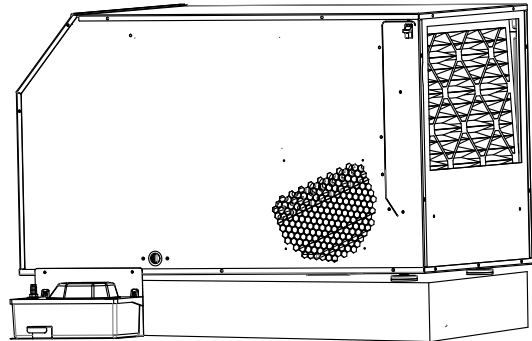
Note: The (2) white wires located at the top of the condensate pump are overflow safety trip wires (optional). These wires are not live or hot wires until connected to the dehumidifier or another automatic cut off device. Only a certified electrician is qualified to connect the safety trip wires to your Therma-Stor dehumidifier. Attaching the overflow safety trip wires to your Therma-Stor dehumidifier will cut power to the dehumidifier if the pump motor should fail and the secondary float switch trips (this process is optional and not necessary on every install). You may also use other low voltage (24 volt) cut off devices that do not involve an electrician. Please contact Therma-Stor if you have any additional questions.

Step 1: Elevate unit 5" in height.

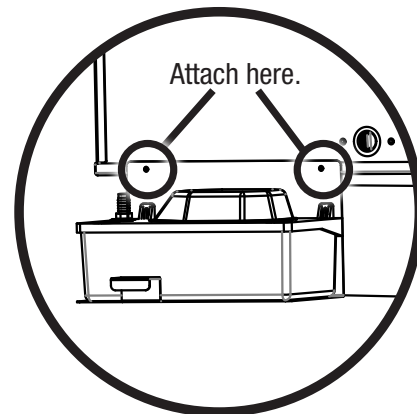
Note: Feet can only provide 2 1/2" height. Extra lift to be provided by installer.



Step 2: Attach the condensate pump with bracket to the dehumidifier using the 2 self drilling Hex screws. Do not over tighten the screws.

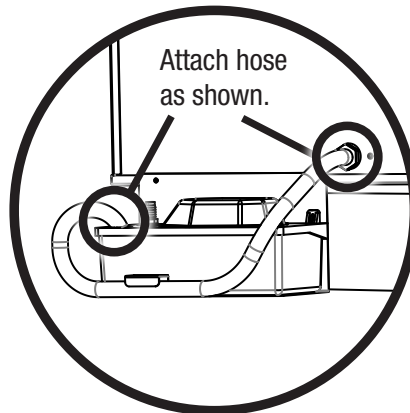
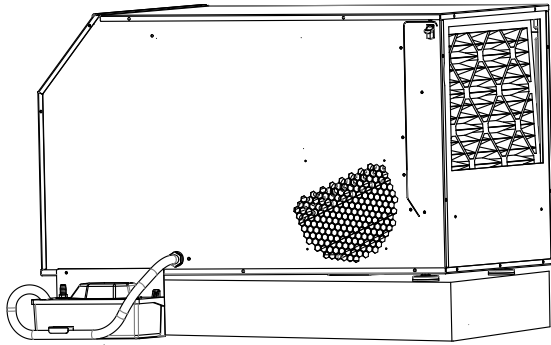


CAUTION! The pump and bracket are not designed to support the weight of the unit. Do not allow the unit to rest on the pump and mounting bracket after it is installed.



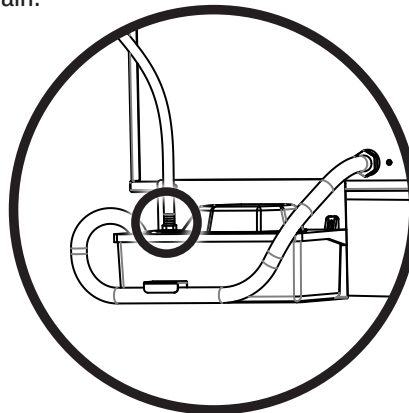
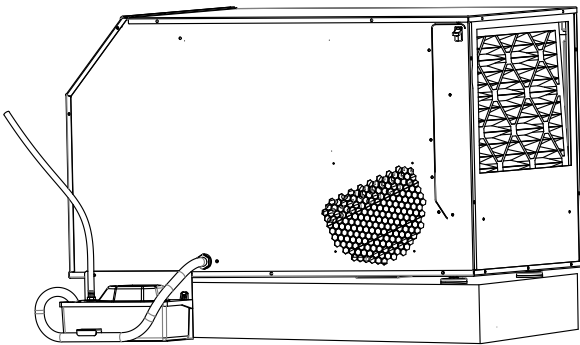
OVER
→

Step 3. Attach $\frac{5}{8}$ " hose onto the barbed drain adaptor of the dehumidifier. Route hose to condensate pump as shown. Insert hose no more than 2" into condensate pump. Be careful not to kink hose.



Creating a P-trap is recommended. Routing hose as shown creates a trap.

Step 4. Attach $\frac{3}{8}$ " hose onto the barbed outlet fitting of the condensate pump. Verify hose is secured tightly to condensate pump by pulling gently on hose. Route hose appropriately to a drain.



Note: Do not exceed 10 ft. vertically when pumping to a drain above the unit.

Step 5. Plug the pump and dehumidifier cords into an outlet that is protected with a GFCI device on its circuit.